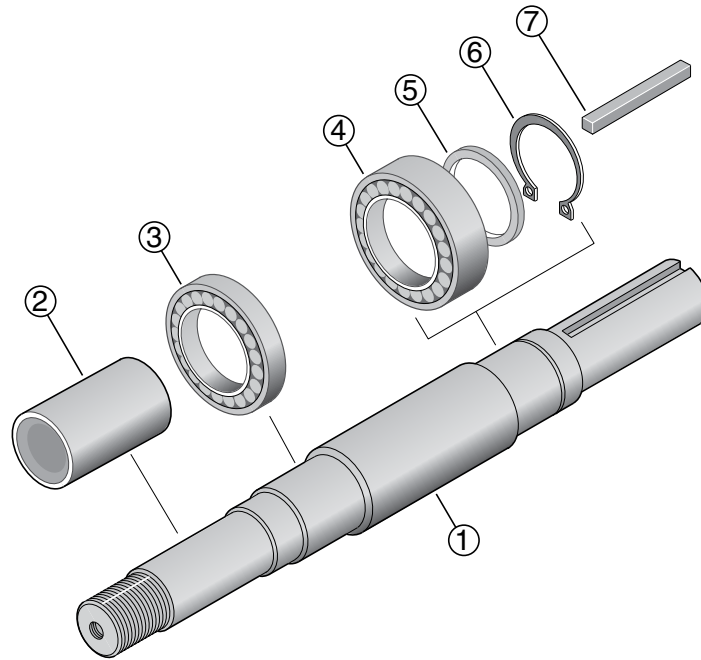


BERKELEY®



GENERAL

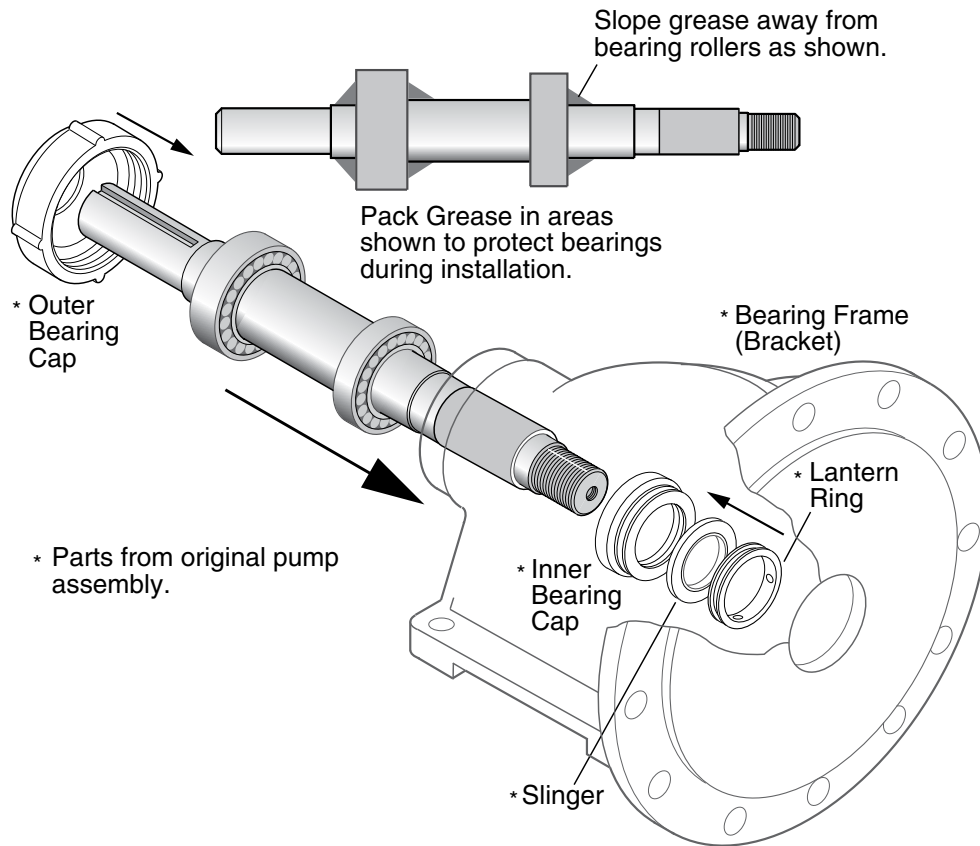
Unpack shaft replacement kit and compare contents with the parts list above. Verify kit received is the correct rotation for your operation, kit is for pump with **clockwise** rotation, shaft should have **right hand** threads.

California Proposition 65 Warning

⚠ WARNING This product and related accessories contain chemicals known to the State of California to cause cancer, birth defects or other reproductive harm.

PARTS LIST

Ref. No.	Part Description	Part Number
1	Pump shaft (CW)	M05828
2	Shaft sleeve	S05974
3	Roller bearing	S15604
4	Roller bearing shield	S15627
5	Ball bearing	S13396
6	Thrust ring	S06519
7	Retaining ring	S23016
8	Pulley key	S24214



INSTALLATION

1. Thoroughly steam clean or solvent wash the bearing cavity of bearing bracket to remove old grease and dirt. Check surface of bracket for cracks, extreme corrosion, or other defects that may make replacement of the bracket necessary.
2. Pack bearings with a lithium based NGLI No. 2 extra pressure ball bearing grease. Force enough grease into each bearing to fill internal space between the races.
3. Coat the bearing bores of bracket with oil. Orient shaft kit in the direction shown above. Protect the bearings from contamination during installation by applying grease around bearings as shown. Slide shaft and bearing assembly into bearing bracket. When threaded end of pump shaft comes through inner bearing cap, place slinger and lantern ring over end of shaft. If packing gland is not of the split variety, place it over the shaft at this time as well. Slide shaft on through stuffing box until the first bearing makes contact with the bracket. Carefully align bearing with the bearing bore and press or tap bearing assembly into place. **Do not use excessive force.**
4. Screw outer bearing cap tightly against outer bearing race of double row bearing.
5. Inject grease into grease fittings to fill cavities behind bearings.
6. Reassemble pump parts and install unit. Refer to pump owners manual for correct installation procedures.