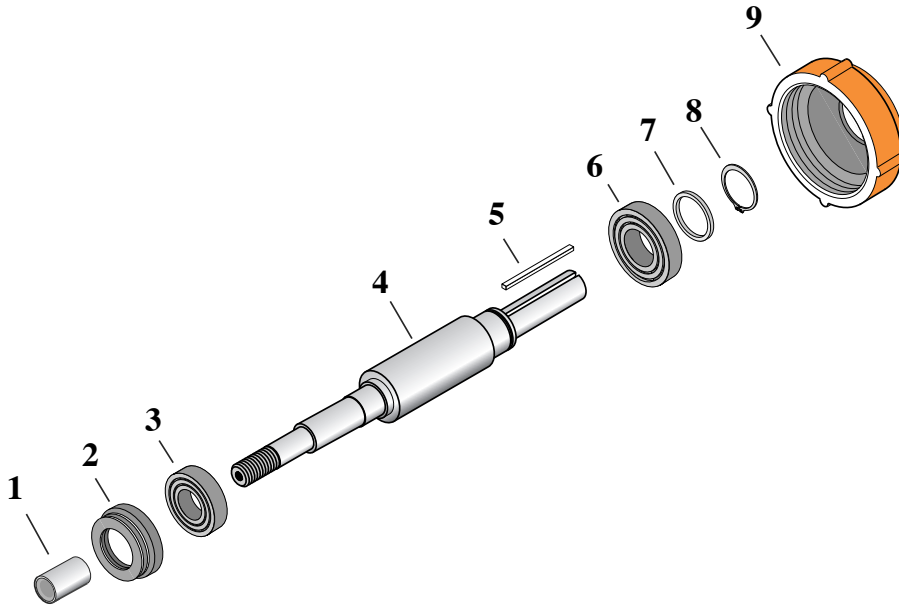


## INSTALLATION INSTRUCTIONS

# B80694 Shaft Replacement Kit

For B3ZRM Bracket Assembly (CCW)\*



### GENERAL

Unpack shaft replacement kit and compare contents with the parts list above. Verify kit received is the correct rotation for your operation, kit is for pump with **counter-clockwise** rotation, shaft should have **left hand** threads.

### PARTS LIST

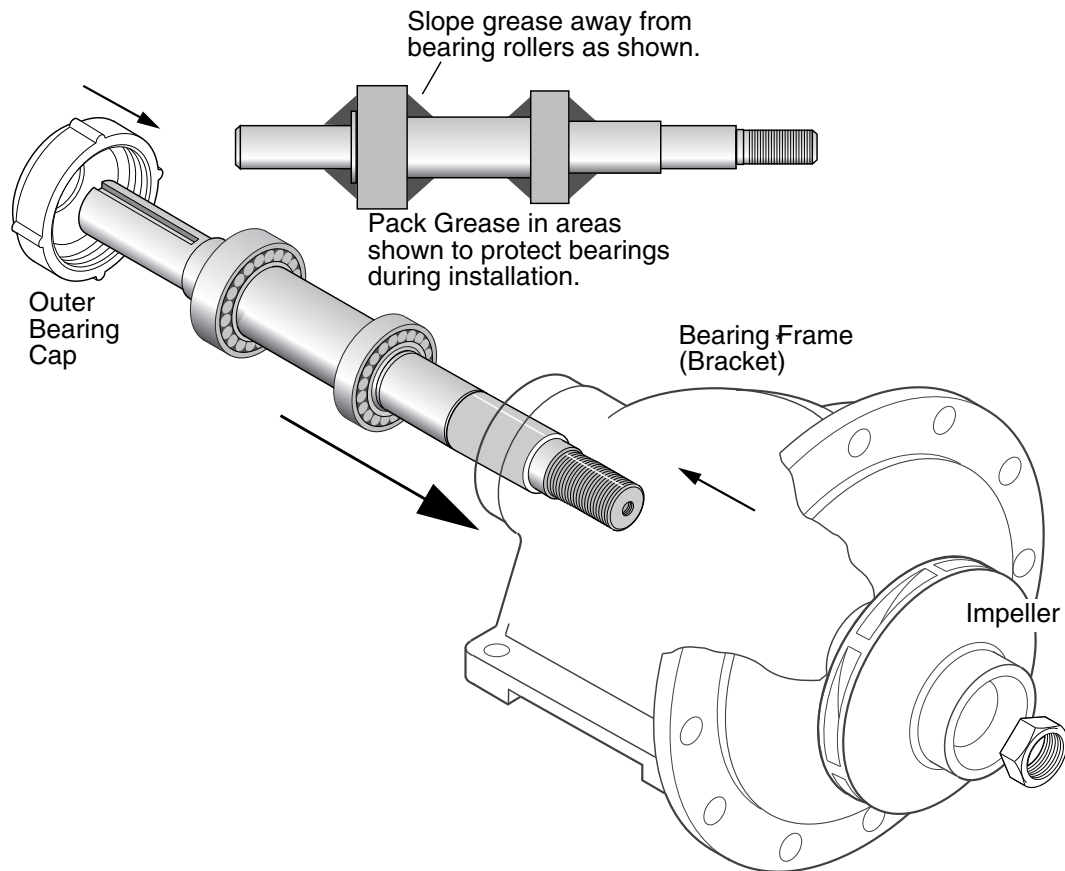
Ref. No.	Part Description	Part Number
1	Shaft Sleeve	S05127
2	Bearing Cap	S19033
3	Bearing	S13270
4	Shaft	M12402
5	Key	S24255
6	Bearing	S13271
7	Thrust Ring	S29218
8	Retaining Ring	S23010
9	Outer Bearing Cap Assembly	S19914
•	Grease Fitting (2)	S23670
•	Set Screw	S23973

• Not illustrated.

\* Does not include heavy duty Z frame series.



Berkeley Pumps • 293 Wright Street • Delavan, WI 53115



## INSTALLATION

1. Remove and discard old inner bearing cap.
2. Thoroughly steam clean or solvent wash the bearing cavity of bearing bracket to remove old grease and dirt. Check surface of bracket for cracks, extreme corrosion, or other defects that may make replacement of the bracket necessary.
3. Pack bearings with a lithium based NGLI No. 2 extra pressure ball bearing grease, ie: Shell brand Alvania Grease EP2. Force enough grease into each bearing to fill internal space between the races.
4. Coat the bearing bores of bracket with oil. Install the new inner bearing cap supplied with kit. Orient shaft kit in the direction shown above. Protect the bearings from contamination during installation by applying grease around bearings as shown. Slide shaft and bearing assembly into bearing bracket. When threaded end of pump shaft comes through inner bearing cap, place slinger over end of shaft. If packing gland is not of the split variety, place it over the shaft at this time as well. Slide shaft on through stuffing box until the first bearing makes contact with the bracket. Carefully align bearing with the bearing bore and press or tap bearing assembly into place. **Do not use excessive force.**
5. Screw outer bearing cap tightly against outer bearing race of double row bearing. Discard old outer bearing cap.
6. Inject grease into grease fittings to fill cavities behind bearings.
7. Reassemble pump parts and install unit. Refer to pump owners manual for correct installation procedures.