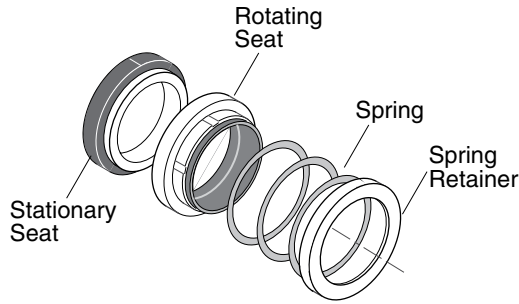


Section	FM
Supplement	B
Date	March 4, 2013
Supersedes 01/01/04	

Mechanical Seal Construction



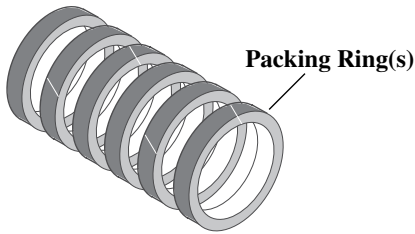
Typical Mechanical Seal

1189 0794

Standard Mechanical Seal/ Shaft Sleeve Combinations

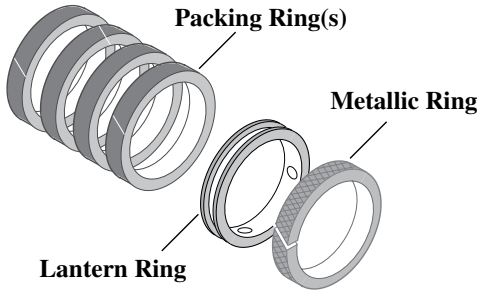
SEAL		SLEEVE	
P/N	Description	P/N	Description
S32690	1-1/8" Type 21 Short	S39242	7/8" I.D. x 1-1/8" O.D.
S32689	1-1/8" Type 21 Long	S05127	7/8" I.D. x 1-1/8" O.D.
S32693	1-7/8" Type 21 Long	S05974	1-1/2" I.D. x 1-7/8" O.D.

Packing Construction



Typical Packing Set - Soft Rings Only

1068 0595



Typical Packing Set With Soft Rings,
Lantern Ring, and Hard (Metallic) Ring

Standard Packing Sets Shown on Repair Parts Sheets

Packing Set P/N	No. of Soft Rings	Metallic Ring	Ring I.D.	Ring O.D.	Cross Section	Shaft Sleeve
S14022	6	None	1-1/8"	1-5/8"	1/4"	S05127
S13436	4	S13434	1-7/8"	2-5/8"	3/8"	S05974
S16448	5	S14327	2-3/4"	3-3/4"	1/2"	S14329

NOTE: Part numbers given on repair parts sheets for packing rings reflects complete set of soft rings required for each model. Some models also require a hard (metallic) ring that is installed as shown above. Hard ring comes as part of the set, when required, and is in **addition** to the soft ring count shown (set of 5, set of 6, etc.). Metallic part number shown for reference only. Lantern Ring (item #29) is sold separately.