

Section	FM
Supplement	D1
Date	March 4, 2013
Supersedes 01/01/04	

### Companion Flange Kits

**3" NPT x 7-1/2" O.D.**

1095 0595

Ref.	Part Description	Part No.
73	Gasket	S10364
800	Capscrew, 5/8 - 11 x 2-1/2" [4 Req.]	S27004
802	Nut, Hex 5/8 - 11 [4 Req.]	S23109
850	Flange, Companion, 125 lb.	S11788

**B60129**

**4" NPT X 9" O.D.**

1097 0595

Ref.	Part Description	Part No.
73	Gasket	S10366
800	Capscrew, 5/8 - 11 x 2-1/2" [8 Req.]	S27005
802	Nut, Hex 5/8 - 11 [8 Req.]	S23109
850	Flange, Companion, 125 lb.	S11790

**B59870**

**4" NPT x 9" O.D.**

1832 0695

Ref.	Part Description	Part No.
73	Gasket	S10366
800	Capscrew, 5/8 - 11 x 1-5/8" [8 Req.]	S27000
850	Flange, Companion, 125 lb.	S11790

**B74303**

**5" NPT x 10" O.D.**

1097 0595

Ref.	Part Description	Part No.
73	Gasket	S10367
800	Capscrew, 3/4 - 10 x 3" [8 Req.]	S27333
802	Nut, Hex 3/4 - 10 [8 Req.]	S23111
850	Flange, Companion, 125 lb.	S11791

**B59871**

**6" NPT x 11" O.D.**

1098 0595

Ref.	Part Description	Part No.
73	Gasket	S10368
800	Capscrew, 3/4 - 10 x 3" [8 Req.]	S27333
802	Nut, Hex 3/4 - 10 [8 Req.]	S23111
850	Flange, Companion, 125 lb.	S11792

**B59872**

Section	FM
Supplement	D2
Date	March 4, 2013
Supersedes 01/01/04	

### Companion Flange Kits

**8" NPT x 13-1/2" O.D.**

1098 0595

Ref.	Part Description	Part No.
73	Gasket	S10369
800	Capscrew, 3/4 - 10 x 2-3/4" [8 Req.]	S27332
802	Nut, Hex 3/4 - 10 [8 Req.]	S23111
850	Flange, Companion, 125 lb.	S11793

**B59873**

**10" NPT x 16" O.D.**

1099 0595

Ref.	Part Description	Part No.
73	Gasket	S10370
800	Capscrew, 7/8 - 9 x 3" [12 Req.]	S23307
802	Nut, Hex 7/8 - 9 [12 Req.]	S23113
850	Flange, Companion, 125 lb.	S11794

**B59874**

**5" NPT x 10" O.D.**

1810 0595

Ref.	Part Description	Part No.
73	Gasket	S10367
800	Capscrew, 3/4 - 10 x 1-3/4" [8 Req.]	S27327
850	Flange, Companion, 125 lb.	S11791

**B59875**

**6" NPT x 10" O.D.**

1811 0595

Ref.	Part Description	Part No.
73	Gasket	S10367
800	Capscrew, 3/4 - 10 x 2-1/4" [8 Req.]	S27330
850	Flange, Companion, 125 lb.	S02178

**B59876**

**6" NPT x 11" O.D.**

1811 0595

Ref.	Part Description	Part No.
73	Gasket	S10368
800	Capscrew, 3/4 - 10 x 2" [8 Req.]	S27329
850	Flange, Companion, 125 lb.	S11792

**B59877**

## BEARING FRAME MOUNT

Section	FM
Supplement	D3
Date	March 4, 2013
Supersedes 01/01/04	

### Companion Flange Kits

**8" NPT x 13-1/2" O.D.**

1811 0595

Ref.	Part Description	Part No.
73	Gasket	S10369
800	Capscrew, 3/4 - 10 x 2" (8 Req.)	S27329
850	Flange, Companion, 125 lb.	S11793

**B59878**

**10" NPT x 16" O.D.**

1812 0595

Ref.	Part Description	Part No.
73	Gasket	S10370
800	Capscrew, 7/8 - 9 x 2" (12 Req.)	S23303
850	Flange, Companion, 125 lb.	S11794

**B59879**

**12" NPT x 19" O.D.**

1813 0595

Ref.	Part Description	Part No.
73	Gasket	S10371
800	Capscrew, 7/8 - 9 x 3" (12 Req.)	S24095
802	Nut, Hex 7/8 - 9 (12 Req.)	S23113
850	Flange, Companion, 125 lb.	S11795

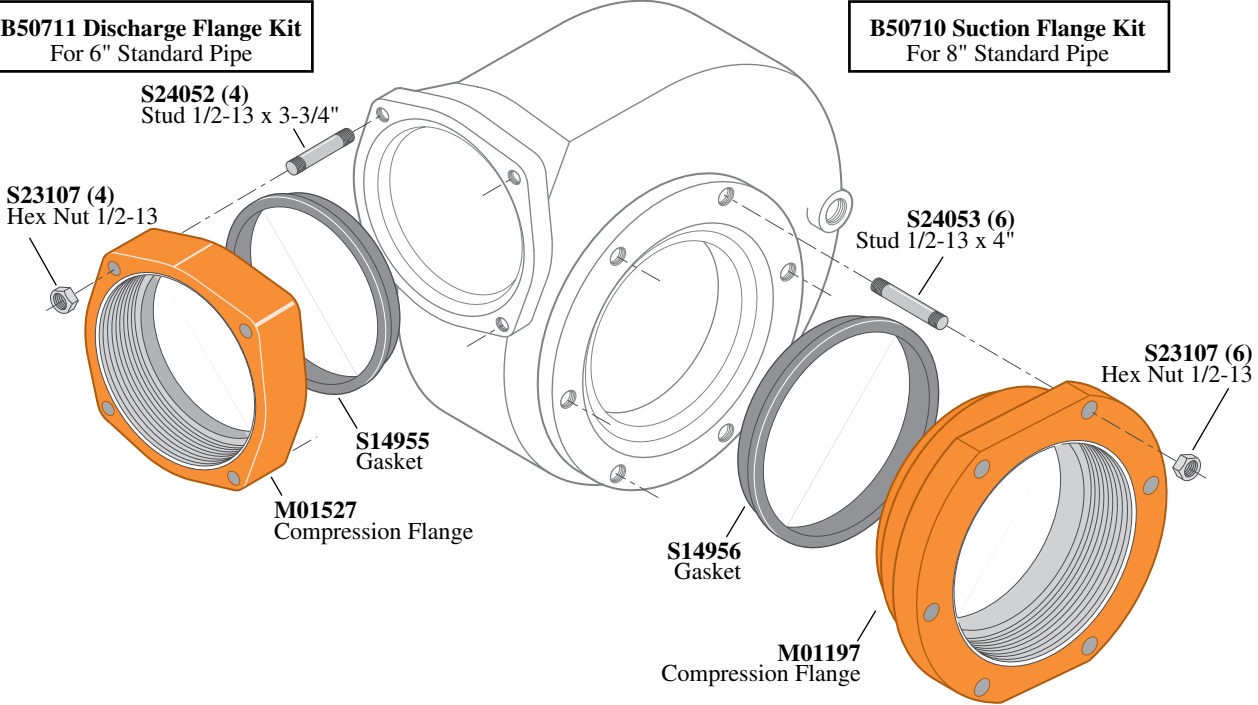
**B59880**

Section	FM
Supplement	D4
Date	March 4, 2013
Supersedes 01/01/04	

### B6Z Special Flange Kits

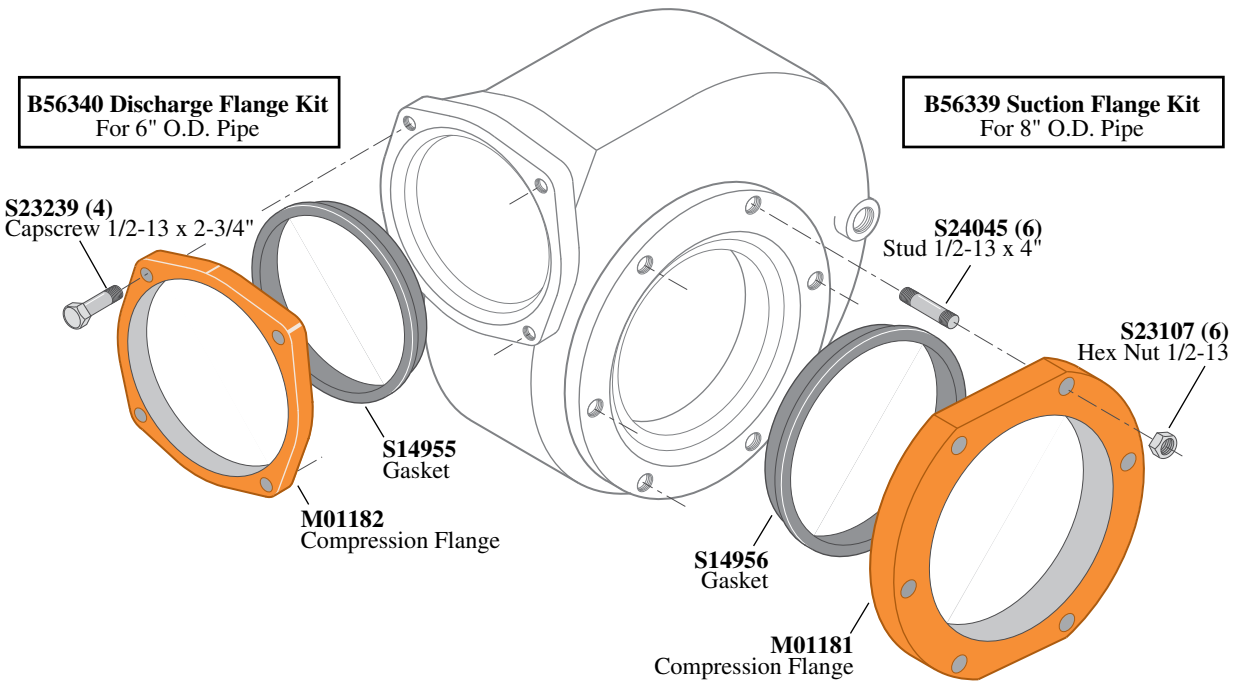
**B50711 Discharge Flange Kit**  
For 6" Standard Pipe

**B50710 Suction Flange Kit**  
For 8" Standard Pipe



**B56340 Discharge Flange Kit**  
For 6" O.D. Pipe

**B56339 Suction Flange Kit**  
For 8" O.D. Pipe



2156 1195