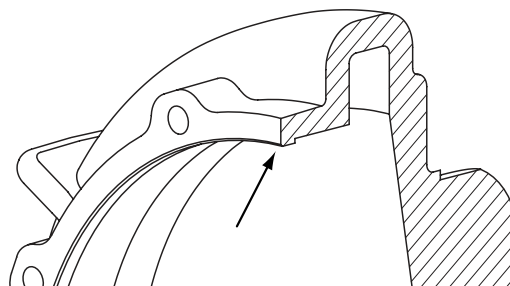
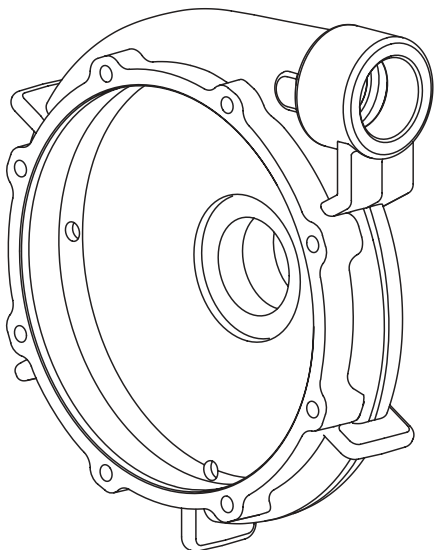


BEARING FRAME MOUNT

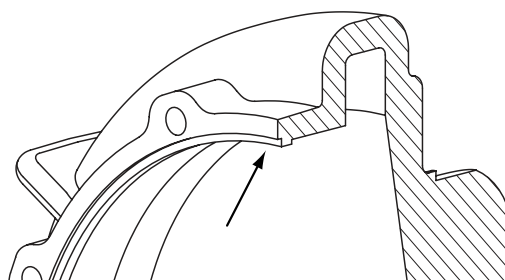
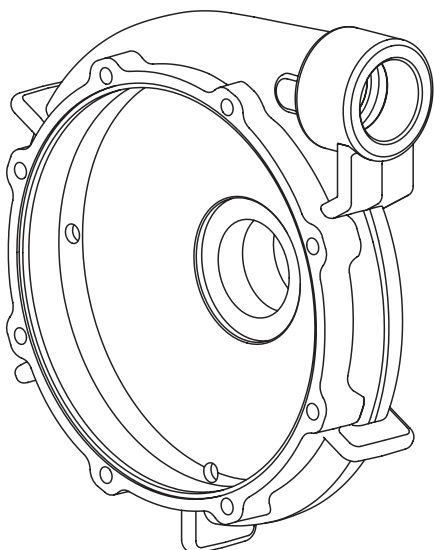
Section	FM
Supplement	E
Date	March 4, 2013
Supersedes 07/01/11	

Volute Sealing: Gasket Only



Style 1: There is a small chamfer along the back face of the volute, but no circumferential O-Ring groove. This volute can ONLY be sealed with a gasket.

Volute Sealing: O-Ring or Gasket



Style 2: O-Ring groove machined into back face of volute. This volute can be sealed with a gasket or with an O-ring.