

BERKELEY® B2ZP2S

Silicon Bronze Impeller

Flanged Case, Mechanical Seal Construction

ELECTRIC MOTOR DRIVE

Section	CC/2S
Page	30.1
Date	March 4, 2013
Supersedes 01/01/04	

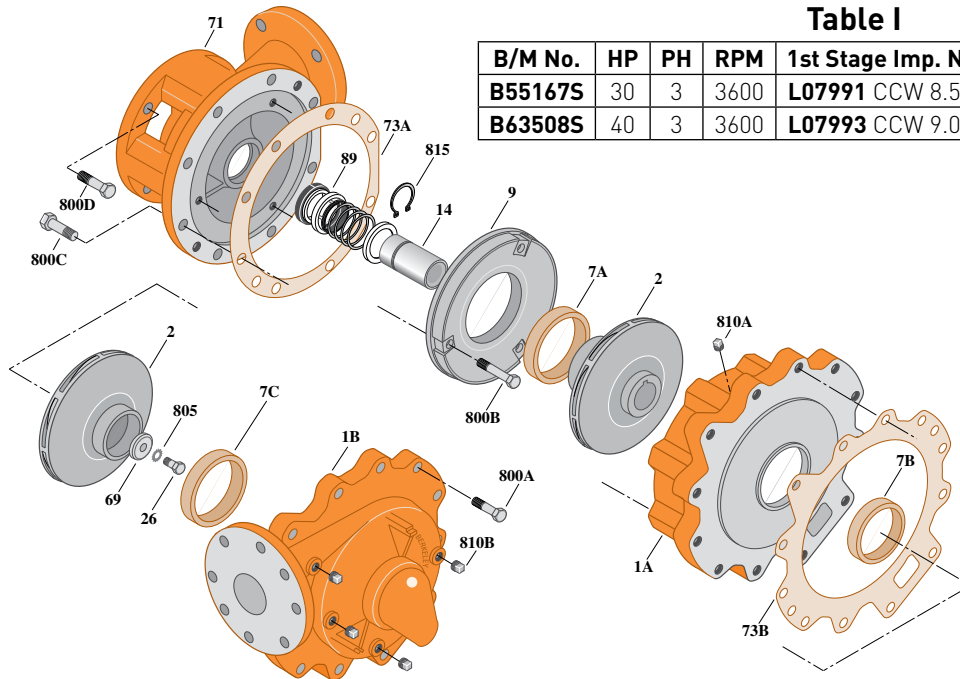


Table I

B/M No.	HP	PH	RPM	1st Stage Imp. No.	2nd Stage Imp. No.
B55167S	30	3	3600	L07991 CCW 8.50"	L07992 CW 8.50"
B63508S	40	3	3600	L07993 CCW 9.00"	L07994 CW 9.00"

Item No.	Part Description	Part Number
1A	Case, Volute, 1st Stage	H02863
1B	Case, Volute, 2nd Stage	H02862
2	Impeller	See Table I
7A	Ring, Wear	S03238
7B	Ring, Wear	S00516
7C	Ring, Wear	S10506
9	Cover, Suction	L04597
14	Sleeve, Shaft	S16764
26	Screw, Impeller	S23621
32	Key, 3/16 x 1-1/4" [See Note]	S34383
69	Washer, Impeller	S06317
71	Bracket	See Table II
73A	Gasket, Bracket	L04602
73B	Gasket, 1st & 2nd Stage	L04598
89	Seal, Mechanical Shaft	S32015
800A	Capscrew, 1/2 - 13 x 1-3/4" [12 Req.]	S26918
800B	Capscrew, 3/8 - 16 x 1-1/2" [3 Req.]	S25983
800C	Capscrew, 1/2 - 13 x 1-1/2" [8 Req.]	S26916
800D	Capscrew, 1/2 - 13 x 1-1/4" [4 Req.]	S26914
805	Washer, Lock	S23038
810A	Plug, Pipe 1/8 NPT [4 Req.]	S23714
810B	Plug, Pipe 1/4 NPT [5 Req.]	S23715
815	Ring, Retaining, External	S16767

Table II

HP	PH	Bracket No.	"AK" Fit	"U" Dim.	Motor Frame
30	3	H02864	10-1/2"	1-1/4"	284TCZ
40	3	H02864	10-1/2"	1-1/4"	286TCZ

NOTE: For an explanation of the tabulated material found on this page and for impeller key location, refer to **Supplement A** located at the beginning of section **CC**.



BERKELEY® B2ZP2S

Bronze Impeller

Flanged Case, Mechanical Seal Construction

ELECTRIC MOTOR DRIVE

Section	CC/2S
Page	30.2
Date	March 4, 2013
Supersedes 01/01/04	

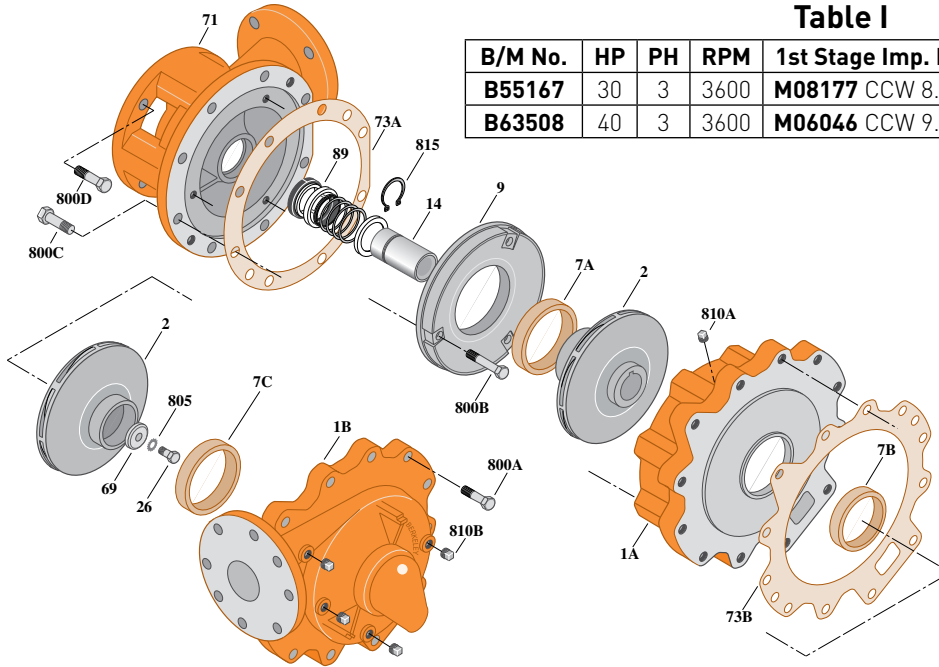


Table I

B/M No.	HP	PH	RPM	1st Stage Imp. No.	2nd Stage Imp. No.
B55167	30	3	3600	M08177 CCW 8.50"	M08181 CW 8.50"
B63508	40	3	3600	M06046 CCW 9.00"	M06047 CW 9.00"

Item No.	Part Description	Part Number
1A	Case, Volute, 1st Stage	H02863
1B	Case, Volute, 2nd Stage	H02862
2	Impeller	See Table I
7A	Ring, Wear	S03238
7B	Ring, Wear	S00516
7C	Ring, Wear	S10506
9	Cover, Suction	L04597
14	Sleeve, Shaft	S16764
26	Screw, Impeller	S23621
32	Key, 3/16 x 1-1/4" [See Note]	S34383
69	Washer, Impeller	S06317
71	Bracket	See Table II
73A	Gasket, Bracket	L04602
73B	Gasket, 1st & 2nd Stage	L04598
89	Seal, Mechanical Shaft	S32015
800A	Capscrew, 1/2 - 13 x 1-3/4" [12 Req.]	S26918
800B	Capscrew, 3/8 - 16 x 1-1/2" [3 Req.]	S25983
800C	Capscrew, 1/2 - 13 x 1-1/2" [8 Req.]	S26916
800D	Capscrew, 1/2 - 13 x 1-1/4" [4 Req.]	S26914
805	Washer, Lock	S23038
810A	Plug, Pipe 1/8 NPT [4 Req.]	S23714
810B	Plug, Pipe 1/4 NPT [5 Req.]	S23715
815	Ring, Retaining, External	S16767

Table II

HP	PH	Bracket No.	"AK" Fit	"U" Dim.	Motor Frame
30	3	H02864	10-1/2"	1-1/4"	284TCZ
40	3	H02864	10-1/2"	1-1/4"	286TCZ

NOTE: For an explanation of the tabulated material found on this page and for impeller key location, refer to **Supplement A** located at the beginning of section **CC**.

