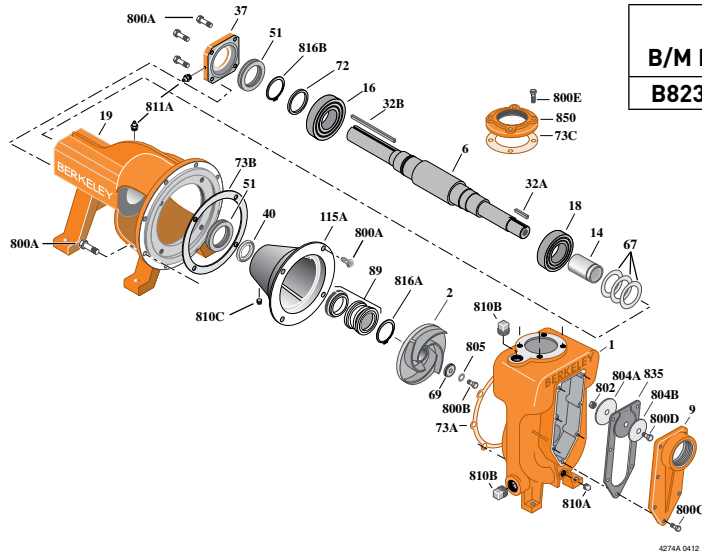


BERKELEY® B4ZRK(S)

TYPE "B" SINGLE STAGE CENTRIFUGAL PUMP

BEARING FRAME MOUNT SELF PRIME

Section	FM/SP
Page	50.1
Date	March 4, 2013
Supersedes 04/01/12	



B/M No.	Shaft Kit	Impeller Size
B82375	B81663*	9.12 x 1.00 BA

B4ZRK Common Parts Groups Repair Parts List

Item No.	Part Description	Part Number
1	Volute Case	H02505
2	Impeller	M13644
6	Shaft-Sold only in Shaft Kit*	M12338
9	Suction Cover	L04108
14	1-3/8 ID x 1-3/4 OD Shaft Sleeve*	M12422
16	Single Row Ball Bearing*	S13395
18	Ball Bearing*	S13397
19	Bracket	M12332
32A	Shaft Key, 1/4" Sq. x 2-1/4" *	S23677
32B	Shaft Key, 3/8" Sq. x 2-1/4" *	S23941
37	Bearing Cap	M12335
40	Water Slinger*	S10964
51	Grease Seal (2 Rqd.)*	M12337
67	Shim Set (3 pcs)	M15802
69	Lock Washer	S06319
72	Thrust Ring*	S06519
73A	Volute Gasket	S05126
73B	Balance Ring Gasket	S09943
73C	Flange Gasket	S10364
800A	3/8-16 x 1-1/8" Hex Hd Capscrew (16 Rqd.)	S26827
800B	1/2-13 x 1-1/4" Capscrew	S23621

Item No.	Part Description	Part Number
800C	3/8-16 x 1-1/4" Capscrew (7 Rqd.)	S26828
800D	3/8-16 x 3/4" Capscrew	S26824
800E	5/8-11 x 1-1/4" Capscrew (4 Rqd.)	S27001
802	Clack Nut, Hex 3/8x16	S23103
804A	Clack Weight	S14842
804B	Clack Weight	S15325
805	Lock Washer	S23038
810A	1/2" NPT Pipe Plug	S23717
810B	1-1/2" NPT Pipe Plug (2 Rqd.)	S23695
811A	Grease Fitting (2 Rqd.)	S23700
816B	External Retaining Ring*	S23016
835	Rubber Clack	L04119
850	Blind Flange	S15933

* Included in Shaft Kit.

Seal Components

Item No.	Part Description	Part Number
89	1-3/4" Mechanical Shaft Seal	S32015
115A	Mechanical Seal Housing	M12333
810C	1/8" NPT Sq. Hd. Pipe Plug	S23714
816A	External Retaining Ring*	S16767

Refer to following page for model specific repair parts listing.



293 WRIGHT STREET, DELAVAN, WI 53115 WWW.berkeleypumps.COM PH: 888-237-5353 ORDERS FAX: 800-321-8793
Because we are continuously improving our products and services, Pentair reserves the right to change specifications without prior notice.