

BERKELEY® B2-1/2ZRL

Cast Iron Impeller

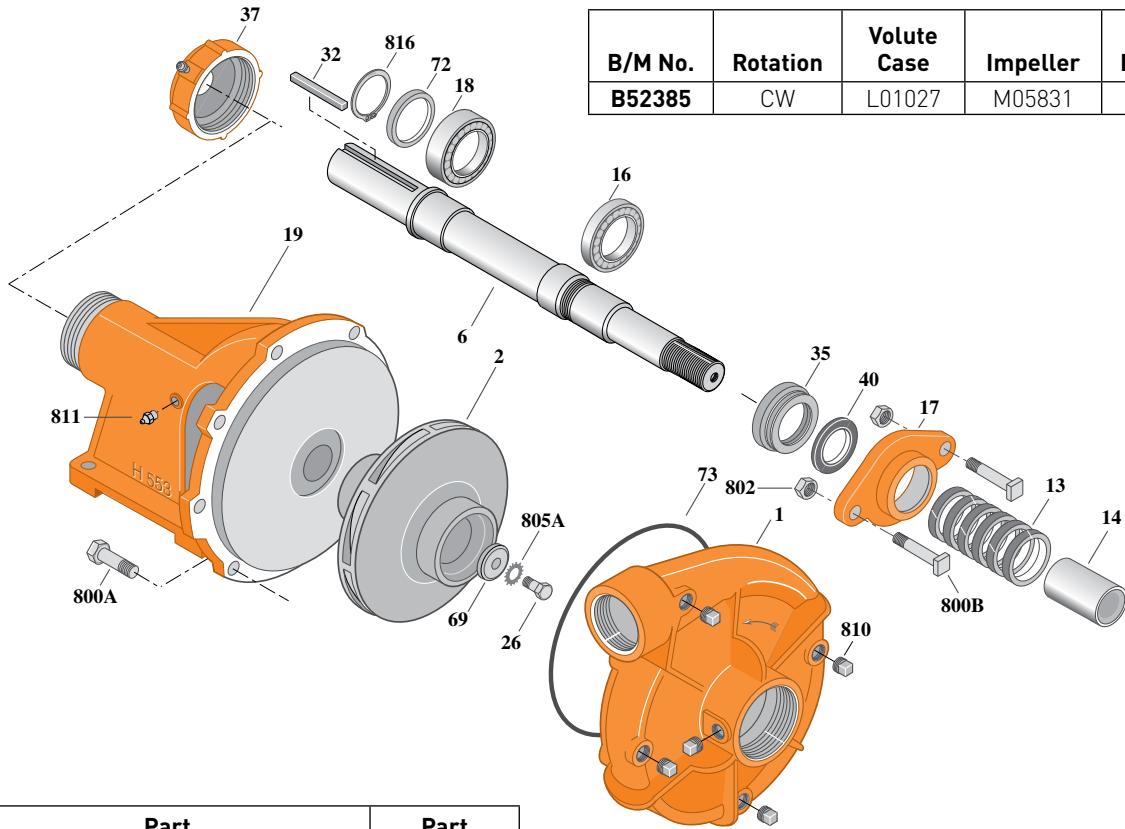
Threaded Case (NPT), Packing Construction

BEARING FRAME MOUNT

Section	FM
Page	100.1
Date	March 4, 2013
Supersedes 07/01/11	

Table I

B/M No.	Rotation	Volute Case	Impeller	Impeller Diameter
B52385	CW	L01027	M05831	9.00"



Item No.	Part Description	Part Number
1	Case, Volute	See Table I
2	Impeller	See Table I
6	Shaft (Not sold separately)	See Note 2
13	Ring, Packing (Set of 6)	S14022
14	Sleeve, Shaft	S05127L
16	Bearing, Ball	S13270
17	Gland, Packing (See Note 1)	S04948
18	Bearing, Ball	S13271
19	Frame	H00553
26	Screw, Impeller 3/8-16x1"	S23566
32	Key, 1/4x2-1/8"	S24255
35	Inner Bearing Cap	S19033
37	Outer Bearing Cap Assembly*	S19914
40	Slinger, Water	S12260
69	Washer, Impeller	S06314
72	Ring, Thrust	S29218
73	O-Ring (See Note 3)	M14943

Item No.	Part Description	Part Number
800A	Capscrew, Hex 3/8-16x7/8" (8 Req.)	S26825
800B	Bolt, Sq. Head 3/8-16x2-1/2" (2 Req.)	S23762
802	Nut, Hex 3/8-16 (2 Req.)	S23343
805A	Washer, Lock	S23036
810	Plug, Pipe 1/4 NPT (5 Req.)	S23715
811	Fitting, Grease	S23670
816	Ring, Retaining	S23010

NOTE 1: A two piece (split) stainless steel packing gland is available for replacement, order part number **B82468**.

NOTE 2: **Shaft Replacement Kit** available for this model. Berkeley part number **B82184**. Pump Shaft sold in shaft replacement kit only.

NOTE 3: Also accepts gasket **S05126** as replacement for O-Ring. See **Supplement E** located at the beginning of this section.

* Includes grease fitting and set screw.



BERKELEY® B2-1/2ZRLS

Cast Iron Impeller

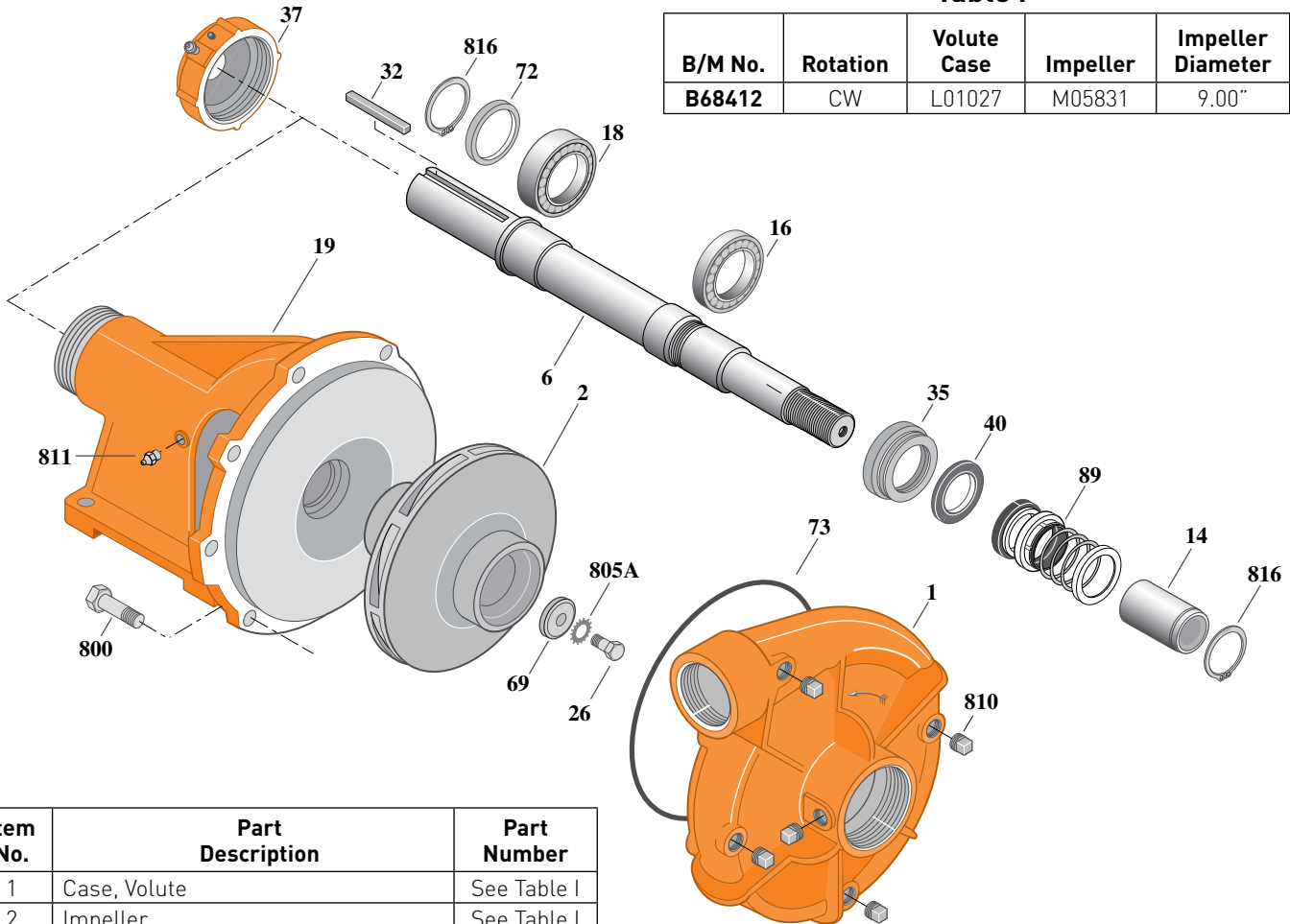
Threaded Case (NPT), Mechanical Seal Construction

BEARING FRAME MOUNT

Section	FM
Page	100.2
Date	March 4, 2013
Supersedes 12/01/11	

Table I

B/M No.	Rotation	Volute Case	Impeller	Impeller Diameter
B68412	CW	L01027	M05831	9.00"



Item No.	Part Description	Part Number
1	Case, Volute	See Table I
2	Impeller	See Table I
6	Shaft (Not sold separately)	See Note 1
14	Sleeve, Shaft	S39242L
16	Bearing, Ball	S13270
18	Bearing, Ball	S13271
19	Frame	H04007
26	Screw, Impeller 3/8-16x1"	S23566
32	Key, 1/4x2-1/8"	S24255
35	Inner Bearing Cap	S19033
37	Outer Bearing Cap Assembly*	S19914
40	Slinger, Water	S12260
69	Washer, Impeller	S06314
72	Ring, Thrust	S29218
73	O-Ring [See Note 2]	M14943
89	Seal, Mechanical Shaft	S32690

Item No.	Part Description	Part Number
800	Capscrew, Hex 3/8-16x7/8" (8 Req.)	S26825
805A	Washer, Lock	S23036
810	Plug, Pipe 1/4 NPT (5 Req.)	S23715
811	Fitting, Grease	S23670
816	Ring, Retaining	S23009
816	Ring, Retaining	S23010

NOTE 1: Shaft Replacement Kit available for this model. Berkeley part number **B85571**. Pump Shaft sold in shaft replacement kit only.

NOTE 2: Also accepts gasket **S05126** as replacement for O-Ring. See **Supplement E** located at the beginning of this section.

* Includes grease fitting and set screw.



BERKELEY® B2-1/2ZRL

Bronze Impeller

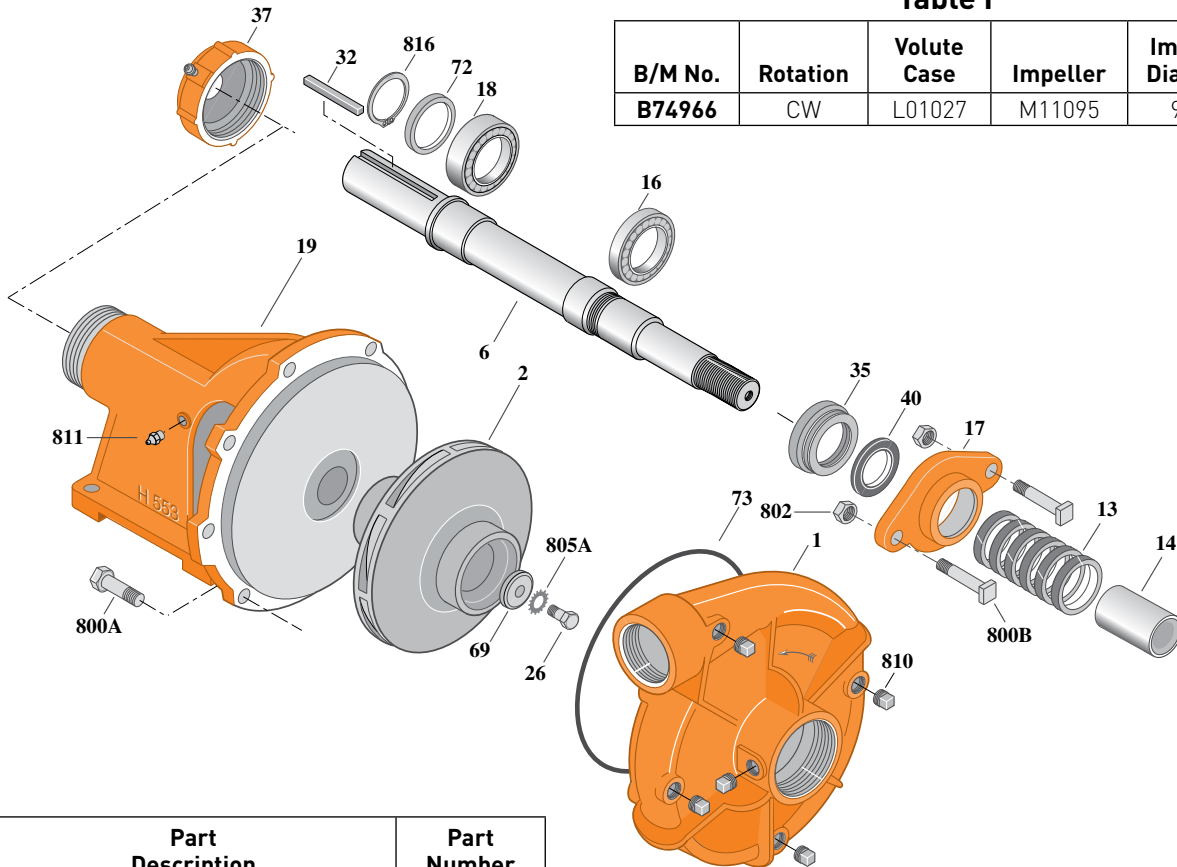
Threaded Case (NPT), Packing Construction

BEARING FRAME MOUNT

Section	FM
Page	100.3
Date	March 4, 2013
Supersedes 07/01/11	

Table I

B/M No.	Rotation	Volute Case	Impeller	Impeller Diameter
B74966	CW	L01027	M11095	9.00"



Item No.	Part Description	Part Number
1	Case, Volute	See Table I
2	Impeller	See Table I
6	Shaft (Not sold separately)	See Note 2
13	Ring, Packing (Set of 6)	S14022
14	Sleeve, Shaft	S05127L
16	Bearing, Ball	S13270
17	Gland, Packing (See Note 1)	S04948
18	Bearing, Ball	S13271
19	Frame	H00553
26	Screw, Impeller 3/8-16x1"	S23566
32	Key, 1/4x2-1/8"	S24255
35	Inner Bearing Cap	S19033
37	Outer Bearing Cap Assembly*	S19914
40	Slinger, Water	S12260
69	Washer, Impeller	S06314
72	Ring, Thrust	S29218
73	O-Ring (See Note 3)	M14943

Item No.	Part Description	Part Number
800A	Capscrew, Hex 3/8-16x7/8" [8 Req.]	S26825
800B	Bolt, Sq. Head 3/8-16x2-1/2" [2 Req.]	S23762
802	Nut, Hex 3/8-16 [2 Req.]	S23343
805A	Washer, Lock	S23036
810	Plug, Pipe 1/4 NPT [5 Req.]	S23715
811	Fitting, Grease	S23670
816	Ring, Retaining	S23010

NOTE 1: A two piece (split) stainless steel packing gland is available for replacement, order part number **B82468**.

NOTE 2: **Shaft Replacement Kit** available for this model. Berkeley part number **B82184**. Pump Shaft sold in shaft replacement kit only.

NOTE 3: Also accepts gasket **S05126** as replacement for O-Ring. See **Supplement E** located at the beginning of this section.

* Includes grease fitting and set screw.

