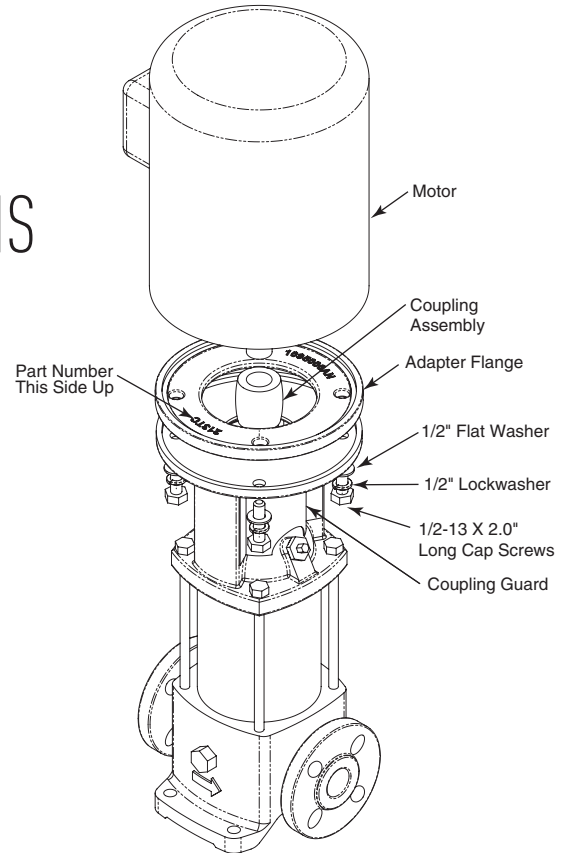




BERKELEY® VERTICAL MULTI-STAGE PUMPS MOTOR KIT ADAPTER INSTRUCTIONS

1. Disconnect and remove motor prior to start (If applicable).
2. Remove the four (4), 3mm bolts from the coupling guards.
3. Remove the four (4), 8 mm bolts from the coupling assembly.
4. Place the adapter flange as shown in the picture.
5. Place motor on top of adapter making sure holes are aligned.
6. Install the 2" bolts and washers provided in the kit. **DO NOT USE SHORTER BOLTS.**
7. Insert the stack height adjustment tool in below the shaft collar and let the shaft collar rest on it.
8. Install the coupling assembly. Tighten motor coupling bolts adjusting until an even gap is achieved at both sides. Then, remove the stack height.
9. Install coupling guards.

Refer to Berkeley BVM owner's manual BE991 for detailed assembly instructions including torque specifications. BE991 can be downloaded from www.berkeleypumps.com.



293 WRIGHT STREET, DELAVAN, WI 53115 WWW.BERKELEYPUMPS.COM
PH: 888-782-7483