



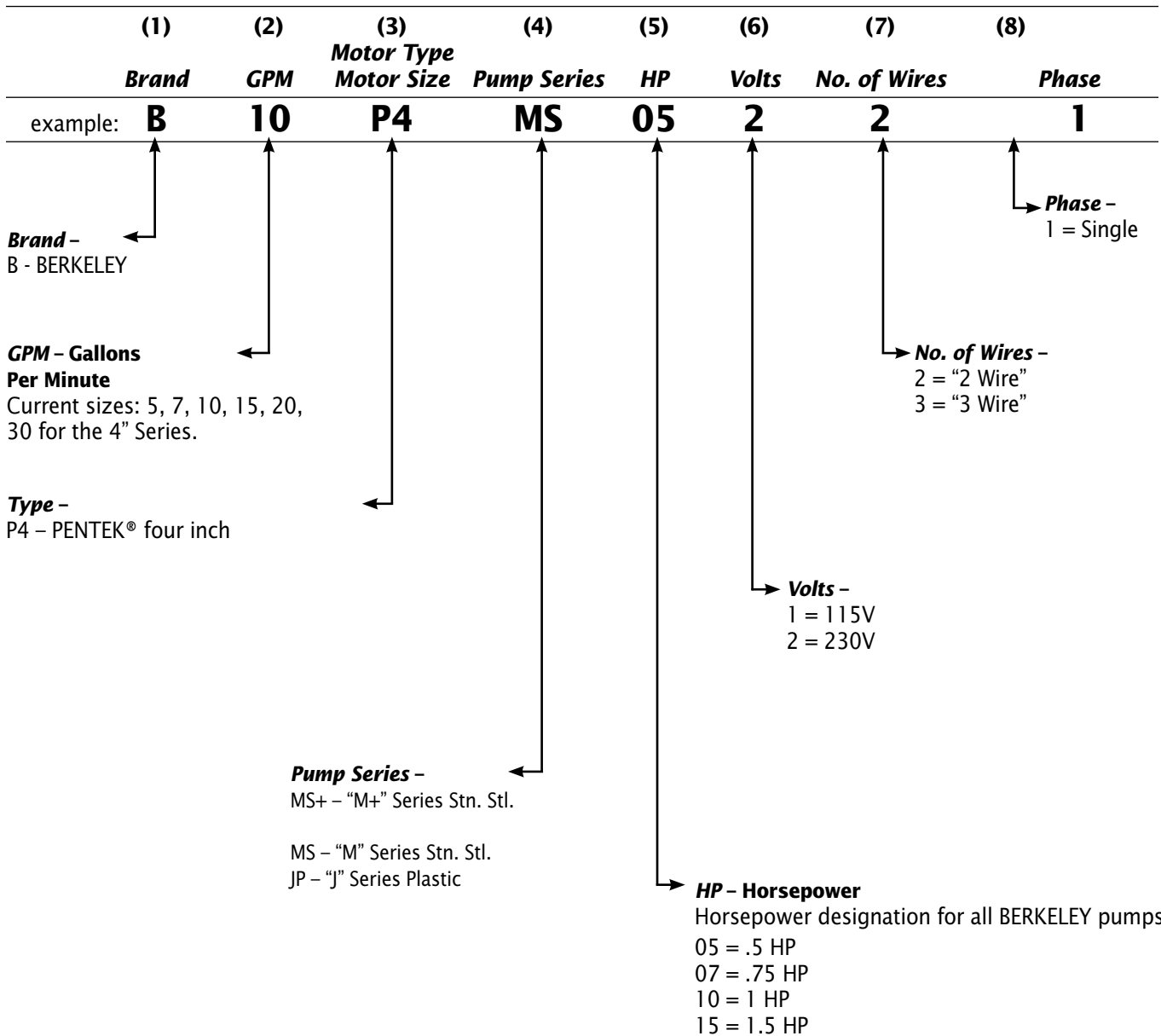
Water Systems Product Nomenclature

BERKELEY Catalog Numbers define products for you. The following paragraphs describe number assignments and their meanings for 4" submersibles, jets and small centrifugal pumps.

4" SUBMERSIBLE PUMP CATALOG NUMBERS

Submersible pump catalog numbers are patterned like this:

B10P4MS05221



PENTEK® is a registered trademark of Pentair Water.



Water Systems Product Nomenclature

JET PUMP CATALOG NUMBERS

Jet pump catalog numbers are patterned like this:

| | SSN-L | | |
|----------|------------------|--------------------|---------------------|
| | (1) <i>HP</i> | (2) <i>type</i> | (3) <i>dash#</i> |
| example: | 5 | SN | -L |

(1) *HP* – HORSEPOWER

Horsepower designation for all BERKELEY Pumps:

| | |
|------------|---------------|
| 5 = 1/2 HP | 15 = 1-1/2 HP |
| 7 = 3/4 HP | 20 = 2 HP |
| 10 = 1 HP | 25 = 2-1/2 HP |

(2) *type* – First Letter is DESIGN SERIES Second Letter (N) - Shallow Well (L) - Deep Well

(3) *dash#* – ENGINEERING SERIES NUMBER (dash number)

Indicates product improvements.

SMALL CENTRIFUGAL PUMP CATALOG NUMB

Centrifugal pump catalog numbers are patterned like this:

| | 10LTHH | | | | |
|----------|------------------|--------------------|--------------------|------------------|---------------------|
| | (1) <i>HP</i> | (2) <i>type</i> | (3) <i>head</i> | (4) <i>PH</i> | (5) <i>dash#</i> |
| example: | 10 | LT | HH | 3 | -01 |

(1) *HP* – HORSEPOWER

Horsepower designation for all BERKELEY pumps:

| | |
|------------|---------------|
| 5 = 1/2 HP | 15 = 1-1/2 HP |
| 7 = 3/4 HP | 20 = 2 HP |
| 10 = 1 HP | 25 = 2-1/2 HP |

(2) *type* – PUMP DESIGN SERIES

(3) *head* – HEAD DESIGN

H = high head
M = medium head

(4) *PH* – PHASE

3 = 3 phase

(5) *dash#* – ENGINEERING SERIES NUMBER (dash number)

Indicates product improvements.

STEEL TANK CATALOG NUMBERS

Steel tank catalog numbers are patterned like this:

| | PS19T | | |
|----------|--------------------|--------------------|---------------------|
| | (1) <i>type</i> | (2) <i>size</i> | (3) <i>dash#</i> |
| example: | PS | 19T | -T02 |

(1) *type* – TANK DESIGN SERIES

(2) *size* – Tank size equivalent to traditional galvanized air-over-water tank

T = “tall” stand-up type
H = “horizontal” pump mount type

(3) *dash#* – ENGINEERING SERIES NUMBER (dash number)

Indicates product improvements.

PRO-Source PLUS™ FIBREWOUND TANKS

PRO-Source PLUS™ Fibrewound Tank catalog numbers are patterned like this:

| | SR35-10 | | | |
|----------|--------------------|--------------------|------------------------|---------------------|
| | (1) <i>type</i> | (2) <i>size</i> | (3) <i>drawdown</i> | (4) <i>dash#</i> |
| example: | SR | 35 | -10 | -01 |

(1) *type* – TANK DESIGN SERIES

(2) *size* – Tank vessel capacity in U.S. gallons

(3) *drawdown* – U.S. gallons drawdown with a 30-50 system pressure

(4) *dash#* – ENGINEERING SERIES NUMBER (dash number)

Indicates product improvements.

PRO-Source PLUS™ is a trademark of Pentair Water.