

BERKELEY® B1-1/2TRLS

BELT/COUPLING DRIVE

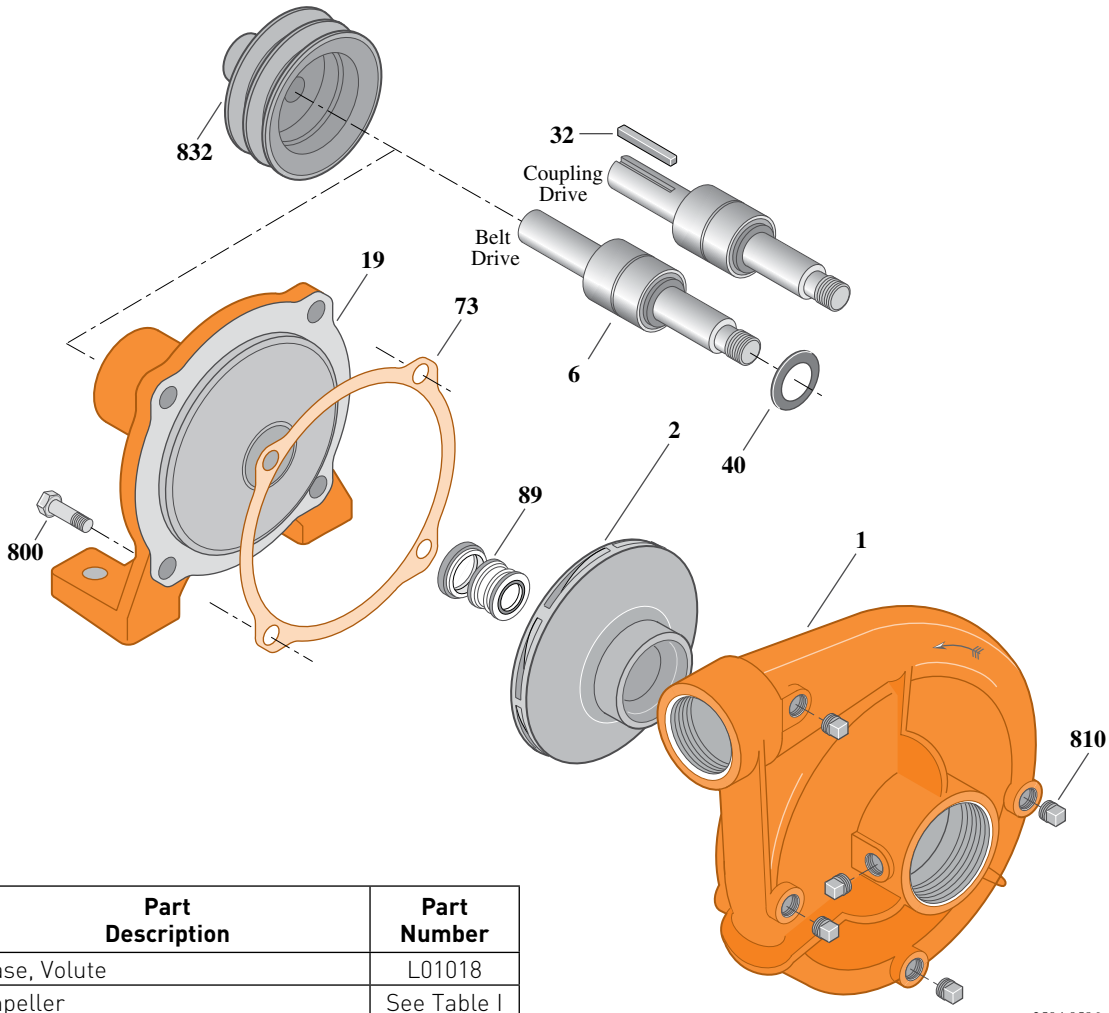
Cast Iron Impeller

Threaded Case (NPT), Mechanical Seal Construction

Section	B/C
Page	50.1
Date	March 4, 2013
Supersedes 01/01/04	

Table I

B/M No.	Drive Type	Shaft No.	Impeller	Impeller Diameter
B56417	Coupling - CW	S17858	S07368	6.50"
B03539	Belt - CW	S06402	S07368	6.50"



Item No.	Part Description	Part Number
1	Case, Volute	L01018
2	Impeller	See Table I
6	Shaft Assembly	See Table I
19	Frame	L01530
32	Key, 3/16 x 1"	S24151
40	Slinger, Water	S21906
73	Gasket, Case	S04757
89	Seal, Mechanical Shaft	S06405
800	Cap screw, 1/2-13x1" (4 Req.)	S26912
810	Pipe Plug, 1/4" NPT (5 Req.)	S23715
832	Sheave	S06407



BERKELEY® B1-1/2TRLS

Bronze Impeller

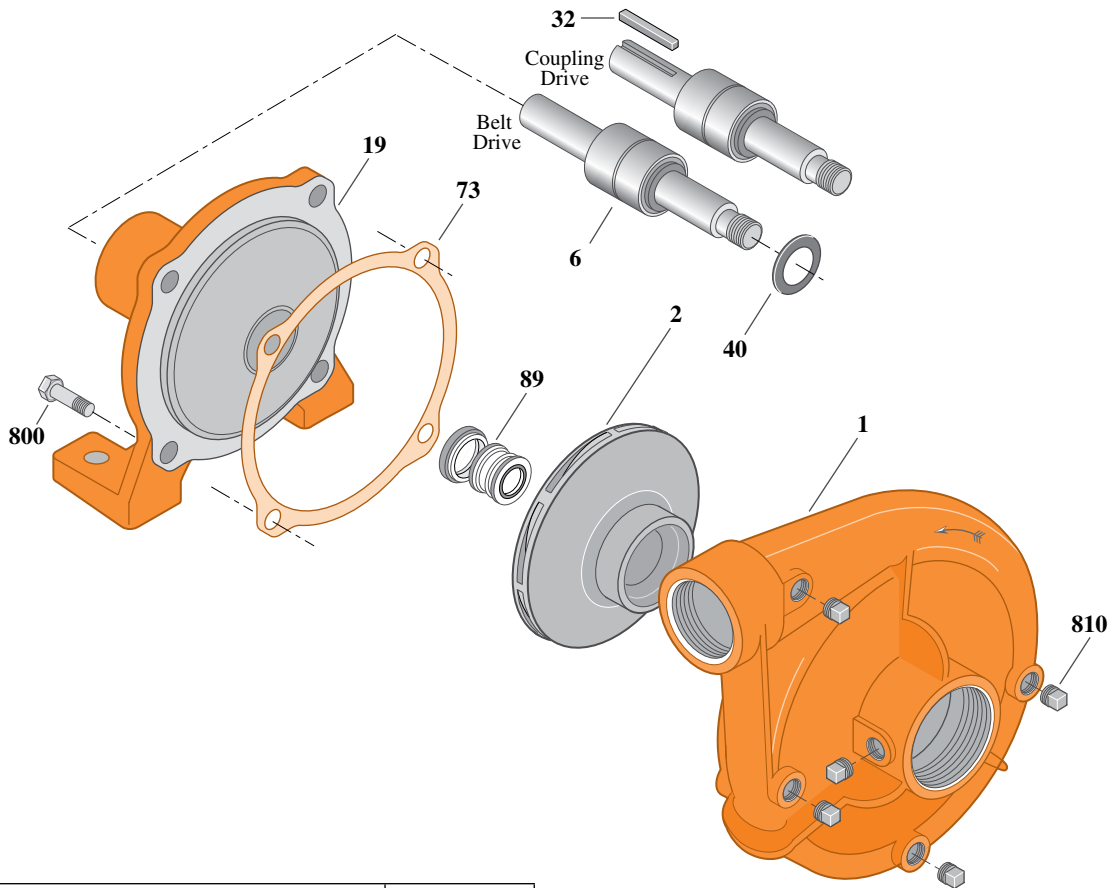
Threaded Case (NPT), Mechanical Seal Construction

BELT/COUPLING DRIVE

Section	B/C
Page	50.2
Date	March 4, 2013
Supersedes 01/01/04	

Table I

B/M No.	Drive Type	Shaft No.	Impeller	Impeller Diameter
B74361	Coupling - CW	S17858	L08149	6.50"



2504A 0596

Item No.	Part Description	Part Number
1	Case, Volute	L01018
2	Impeller	See Table I
6	Shaft Assembly	See Table I
19	Frame	L01530
32	Key, 3/16 x 1"	S24151
40	Slinger, Water	S21906
73	Gasket, Case	S04757
89	Seal, Mechanical Shaft	S06405
800	Capscrew, 1/2-13x1" (4 Req.)	S26912
810	Pipe Plug, 1/4" NPT (5 Req.)	S23715

