

BERKELEY® B1MRS

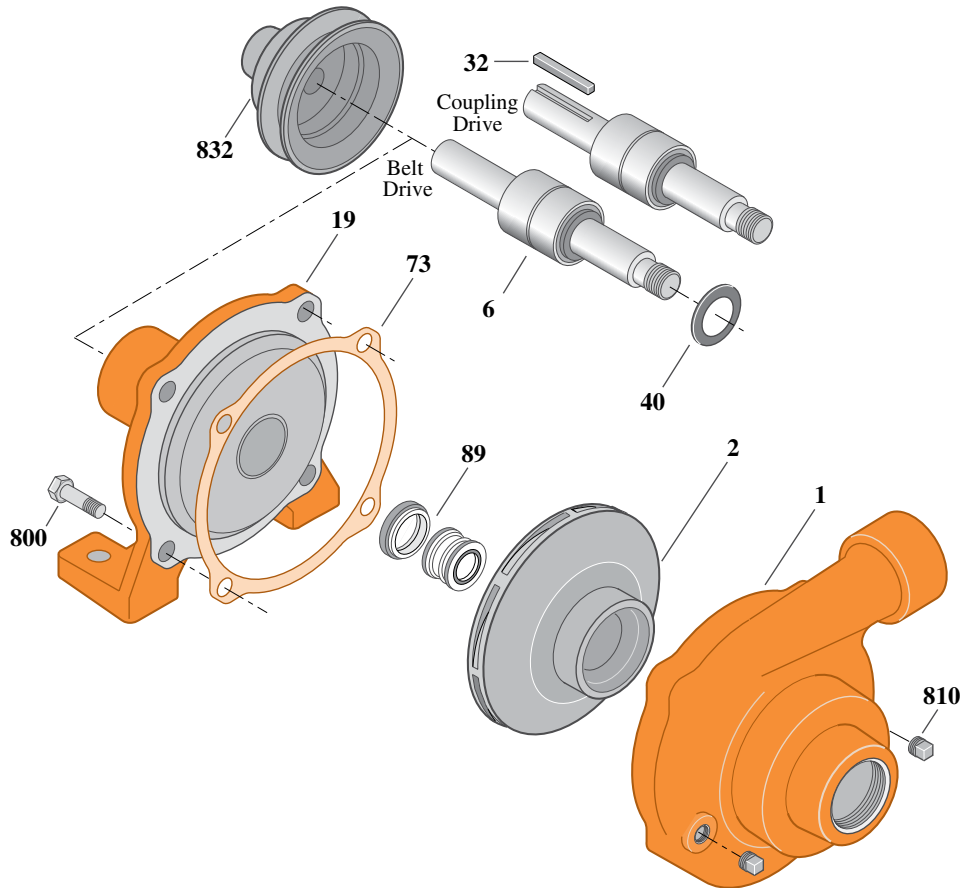
Cast Iron Impeller

Threaded Case (NPT), Mechanical Seal Construction

Section	B/C
Page	10.1
Date	March 4, 2013
Supersedes 01/01/04	

Table I

B/M No.	Drive Type	Shaft No.	Impeller	Impeller Diameter
B56413	Coupling - CCW	S30819	S05266	4.50"
B01838	Belt - CCW	S08164	S05266	4.50"



Item No.	Part Description	Part Number
1	Case, Volute	L01131
2	Impeller	See Table I
6	Shaft Assembly	See Table I
19	Frame	M01856
40	Slinger, Water	S05222
32	Key, 3/16 x 1"	S24151
73	Gasket, Case	S05141
89	Seal, Mechanical Shaft	S05645
800	Capscrew, 3/8-16x3/4" [4 Req.]	S26824
810	Pipe Plug, 1/8" NPT [2 Req.]	S23714
832	Sheave	S05375

BERKELEY® B1MRS

Bronze Impeller

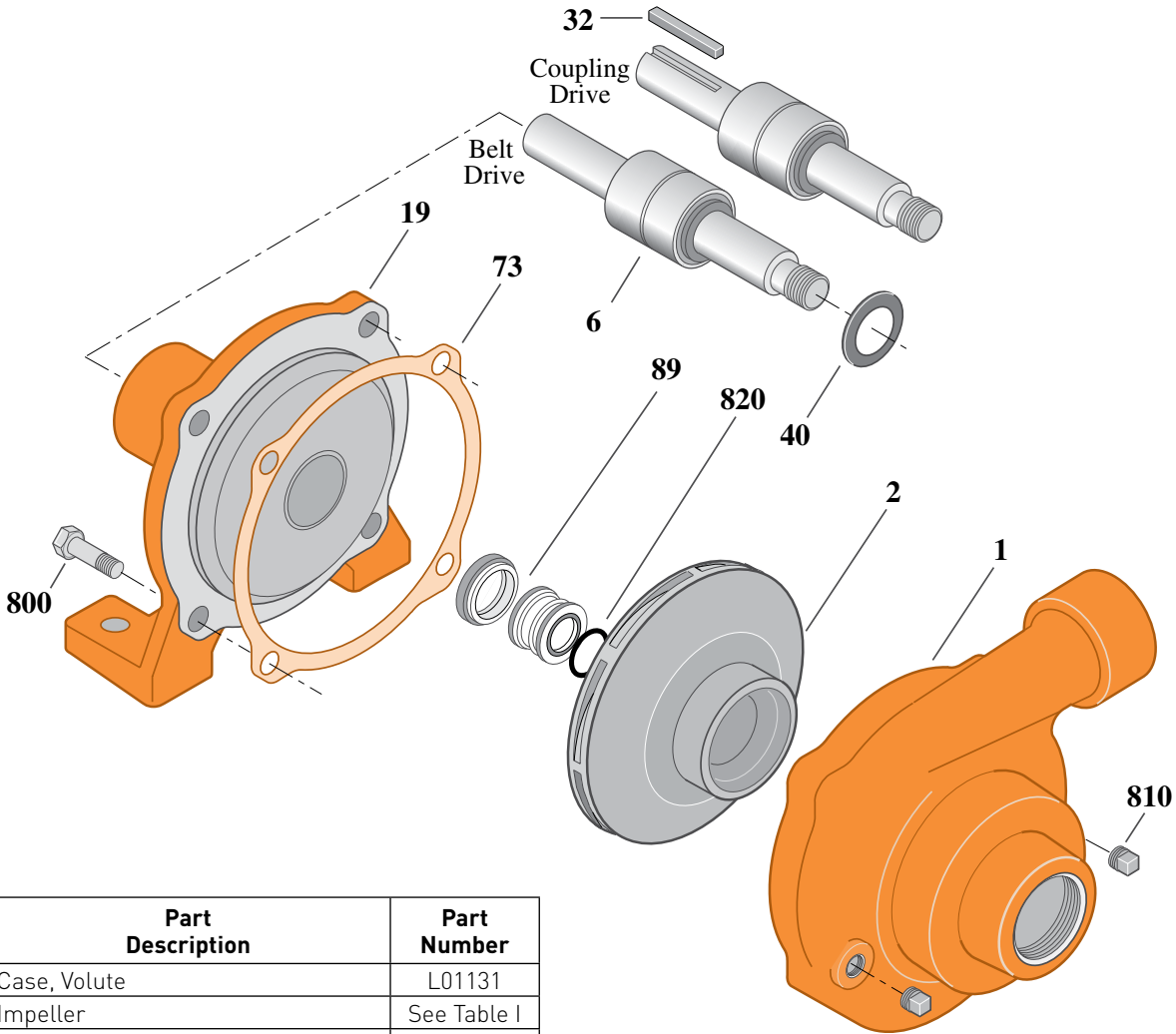
Threaded Case (NPT), Mechanical Seal Construction

BELT/COUPLING DRIVE

Section	B/C
Page	10.2
Date	March 4, 2013
Supersedes 05/01/11	

Table I

B/M No.	Drive Type	Shaft No.	Impeller	Impeller Diameter
B76019	Coupling - CCW	S30819	M11261	4.50"



Item No.	Part Description	Part Number
1	Case, Volute	L01131
2	Impeller	See Table I
6	Shaft Assembly	See Table I
19	Frame	M01856
32	Key, 3/16 x 1"	S24151
40	Slinger, Water	S05222
73	Gasket, Case	S05141
89	Seal, Mechanical Shaft	S05645
800	Capscrew, 3/8-16x3/4" [4 rqd]	S26824
810	Pipe Plug, 1/8" NPT [2 rqd]	S23714
820	O-Ring	111M1640

