

BERKELEY® B1XRS

Cast Iron Impeller

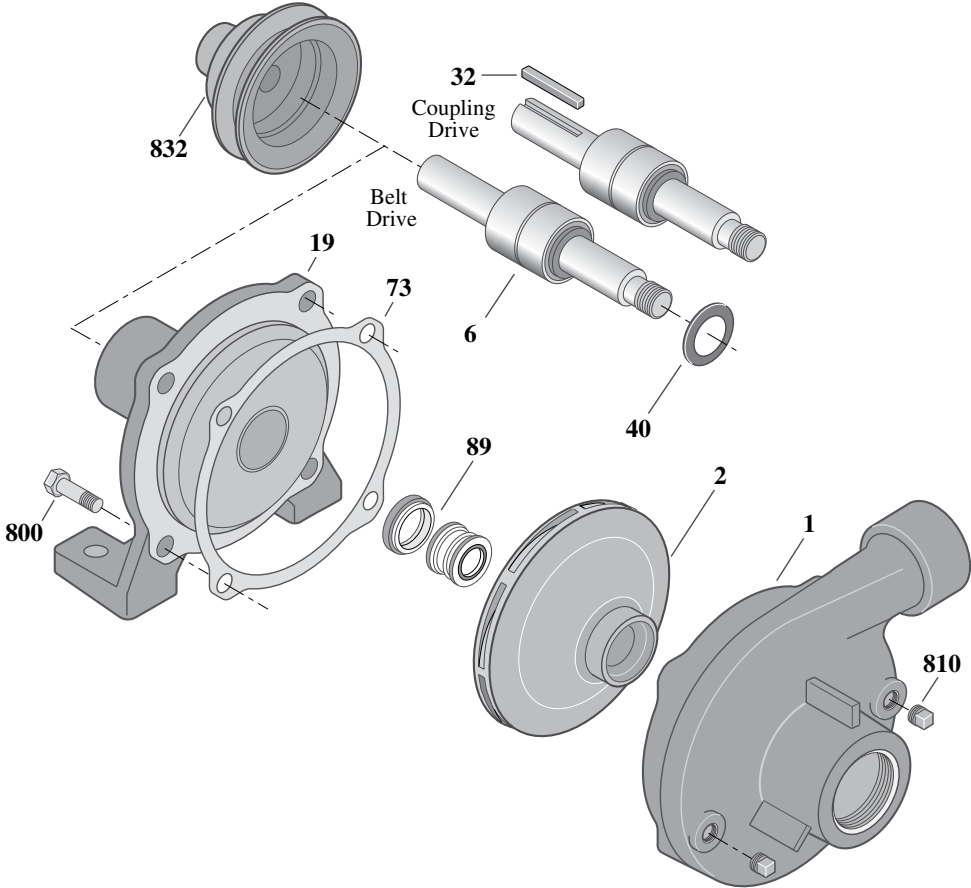
Threaded Case (NPT), Mechanical Seal Construction

BELT/COUPLING DRIVE

Section	B/C
Page	20.1
Date	March 4, 2013
Supersedes 12/01/11	

Table I

B/M No.	Drive Type	Shaft No.	Impeller	Impeller Diameter
B56414	Coupling - CCW	S30819	M01868	5.31"
B01784	Belt - CCW	S08164	M01868	5.31"



Item No.	Part Description	Part Number
1	Case, Volute	M01842
2	Impeller	See Table I
6	Shaft Assembly	See Table I
19	Frame	M01856
32	Key, 3/16 x 1"	S24151
40	Slinger, Water	S05222
73	Gasket, Case	S05141
89	Seal, Mechanical Shaft	S05645
800	Capcrew, 3/8-16x3/4" [4 Req.]	S26824
810	Pipe Plug, 1/8" NPT [2 Req.]	S23714
832	Sheave	S05375

