

BERKELEY® B2ZRKL

BEARING FRAME MOUNT SELF PRIME

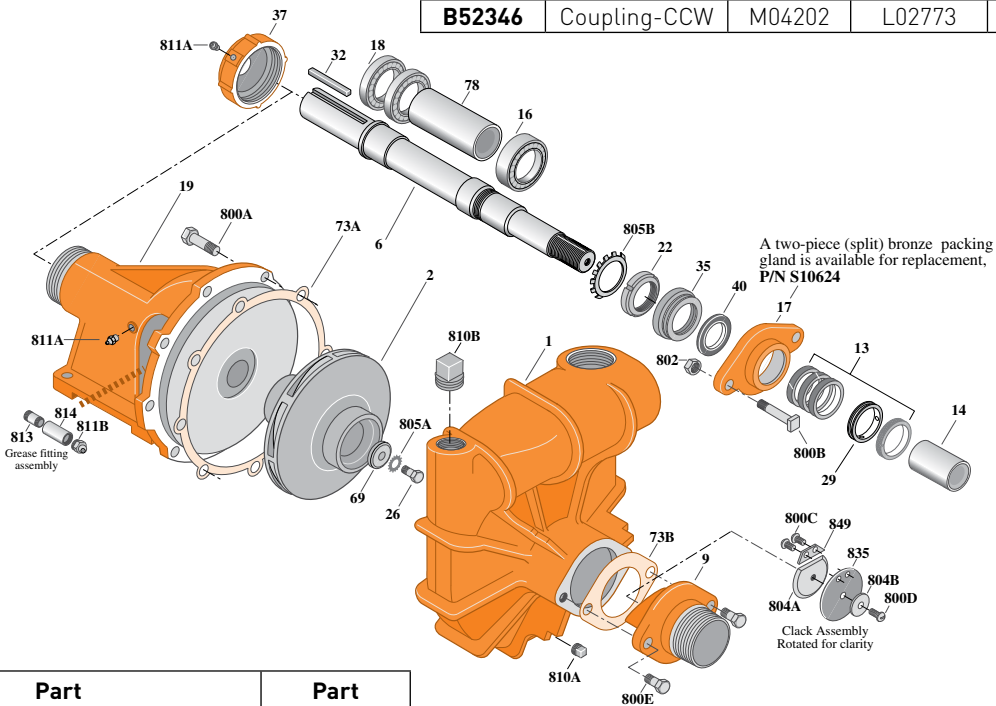
Cast Iron Impeller

Threaded Case (NPT), Packing Construction

Section	FM/SP
Page	20.1
Date	March 4, 2013
Supersedes 01/01/04	

Table I

B/M No.	Drive type	Shaft No.	Impeller	Impeller Diameter
B52346	Coupling-CCW	M04202	L02773	9.00"



2135 1195

Item No.	Part Description	Part Number
1	Case, Volute	H01757
2	Impeller	See Table I
6	Shaft	See Table I
9	Cover, Suction	M04194
13	Ring, Packing [Set of 3]	S16103
14	Sleeve, Shaft	S05127
16	Bearing, Ball	S13849
17	Gland, Packing [See Note]	S04948
18	Bearing, Ball (2 Req.)	S13817
19	Frame	H01679
22	Nut, Bearing Lock	M10221
26	Screw, Impeller 3/8-16x1"	S23566
29	Ring, Lantern	S06708
32	Key, 1/4x3"	S24176
35	Inner Bearing Cap	S19033
37	Outer Bearing Cap	M04203
40	Slinger, Water	S09694
69	Washer, Impeller	S06314
73A	Gasket, Case	S05126
73B	Gasket, Suction Cover	S10926
78	Sleeve, Spacer	S10938

Item No.	Part Description	Part Number
800A	Capscrew, Hex 3/8-16x7/8" [8 Req.]	S26825
800B	Bolt, Sq. Head 3/8-16x2" [2 Req.]	S23762
800C	Screw, Rd. Head #10-32 [2 Req.]	S24469
800D	Screw, Rd. Head 1/4-20	S24496
800E	Capscrew, Hex 3/8-16x1" [2 Req.]	S26826
802	Nut, Hex 3/8-16 [2 Req.]	S23343
804A	Weight, Clack	S10150
804B	Weight, Clack	S04939
805A	Washer, External Tooth	S23036
805B	Washer, Bearing Lock	S16181
810A	Plug, Pipe 1/4" NPT [3 Req.]	S23715
810B	Plug, Pipe 1" NPT	S23693
811A	Fitting, Grease Drive Type [3 Req.]	S23670
811B	Fitting, Grease	S23702
813	Nipple, Pipe 1/8 NPT	S24300
814	Coupling, Pipe 1/8 NPT	S24261
835	Clack, Rubber	S10146
849	Clamp, Clack	S10148



BERKELEY® B2ZRKL

BEARING FRAME MOUNT SELF PRIME

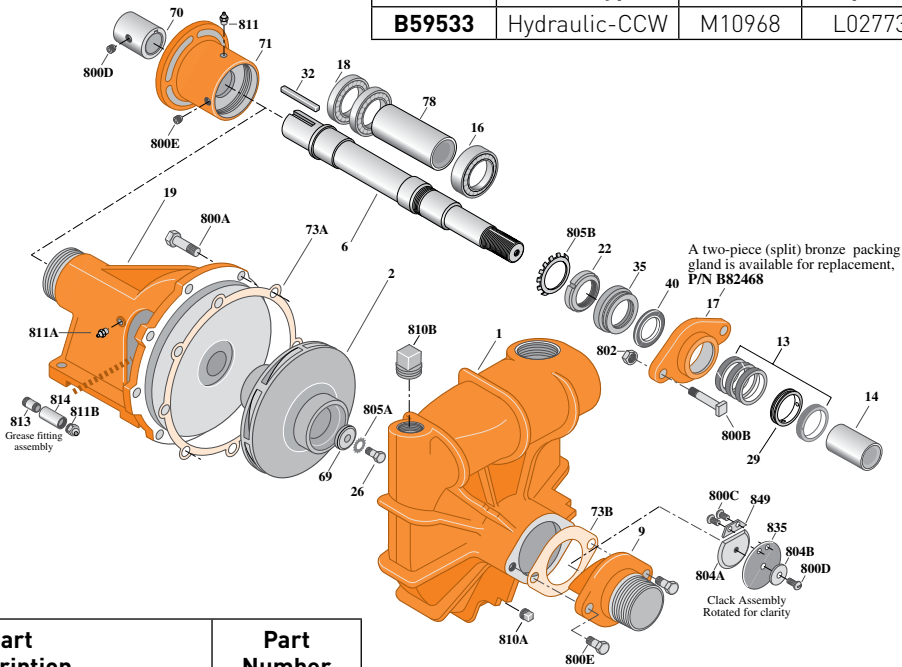
Cast Iron Impeller

Threaded Case (NPT), Packing Construction

Section	FM/SP
Page	20.2
Date	March 4, 2013
Supersedes 01/01/04	

Table I

B/M No.	Drive type	Shaft No.	Impeller	Impeller Diameter
B59533	Hydraulic-CCW	M10968	L02773	9.00"



Item No.	Part Description	Part Number
1	Case, Volute	H01757
2	Impeller	See Table I
6	Shaft	See Table I
9	Cover, Suction	M04194
13	Ring, Packing (Set of 3)	S16103
14	Sleeve, Shaft	S05127
16	Bearing, Ball	S13849
17	Gland, Packing (See Note)	S04948
18	Bearing, Ball (2 Req.)	S13817
19	Frame	H01679
22	Nut, Bearing Lock	M10221
26	Screw, Impeller 3/8-16x1"	S23566
29	Ring, Lantern	S06708
32	Key, 1/4x1"	S24168
35	Inner Bearing Cap	S19033
40	Slinger, Water	S09694
69	Washer, Impeller	S06314
70	Coupling, Shaft	S30636
71	Bracket, Hydraulic Motor	L05720
73A	Gasket, Case	S05126
73B	Gasket, Suction Cover	S10926
78	Sleeve, Spacer	S10938

Item No.	Part Description	Part Number
800A	Capscrew, Hex 3/8-16x7/8" (8 Req.)	S26825
800B	Bolt, Sq. Head 3/8-16x2" (2 Req.)	S23762
800C	Screw, Rd. Head #10-32 (2 Req.)	S24469
800D	Screw, Rd. Head 1/4-20	S24496
800E	Capscrew, Hex 3/8-16x1" (2 Req.)	S26826
800F	Screw, Set 3/8-16	S23964
800G	Screw, Set (2 Req.)	S23965
802	Nut, Hex 3/8-16 (2 Req.)	S23343
804A	Weight, Clack	S10150
804B	Weight, Clack	S04939
805A	Washer, External Tooth	S23036
805B	Washer, Bearing Lock	S16181
810A	Plug, Pipe 1/4" NPT (3 Req.)	S23715
810B	Plug, Pipe 1" NPT	S23693
811A	Fitting, Grease Drive Type (3 Req.)	S23670
811B	Fitting, Grease	S23702
813	Nipple, Pipe 1/8 NPT	S24300
814	Coupling, Pipe 1/8 NPT	S24261
835	Clack, Rubber	S10146
849	Clamp, Clack	S10148



BERKELEY® B2ZRKLS

Cast Iron Impeller

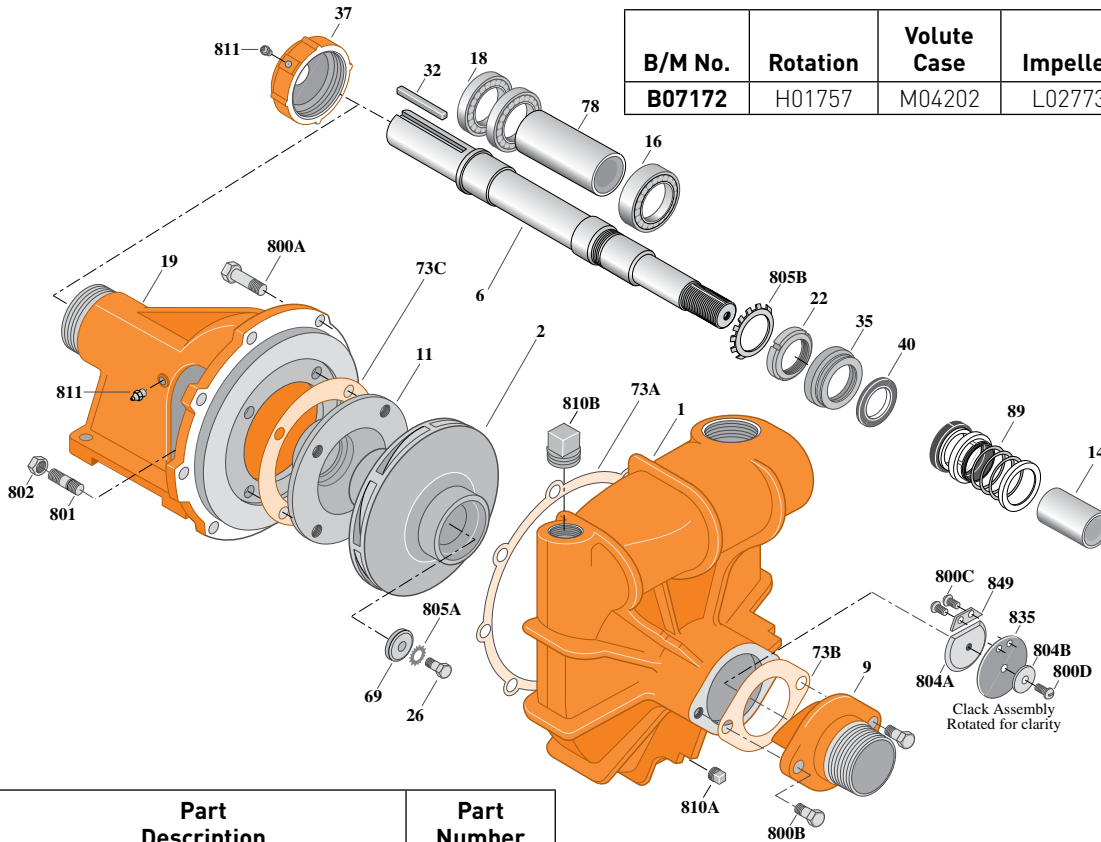
Threaded Case (NPT), Mechanical Seal Construction

BEARING FRAME MOUNT

Section	FM/SP
Page	20.3
Date	March 4, 2013
Supersedes 01/01/04	

Table I

B/M No.	Rotation	Volute Case	Impeller	Impeller Diameter
B07172	H01757	M04202	L02773	9.00"



Item No.	Part Description	Part Number
1	Case, Volute	See Table I
2	Impeller	See Table I
6	Shaft	See Table I
9	Cover, Suction	M04194
11	Retainer, Mechanical Shaft Seal	M06063
14	Sleeve, Shaft	S05127
16	Bearing, Ball	S13849
18	Bearing, Ball (2 Req.)	S13817
19	Frame	S16781
22	Nut, Bearing Lock	M10221
26	Screw, Impeller 3/8-16-1"	S23566
32	Key, 1/4x3"	S24176
35	Inner Bearing Cap	S19033
37	Outer Bearing Cap	M04203
40	Slinger, Water	S09694
69	Washer, Impeller	S06314
73A	Gasket, Case	S05126
73B	Gasket, Suction Cover	S10926
73C	Gasket, Seal Retainer	S16800

Item No.	Part Description	Part Number
78	Sleeve, Spacer	S10938
89	Seal, Mechanical Shaft	S32690
800A	Capscrew, Hex 3/8-16x7/8" [8 Req.]	S26825
800B	Capscrew, Hex 3/8-16x1" [2 Req.]	S26826
800C	Screw, Rd. Head #10-32 [2 Req.]	S24469
800D	Screw, Rd. Head 1/4-20 [2 Req.]	S24496
801	Stud, 3/8-16x1-1/4" [4 Req.]	S23994
802	Nut, Hex 3/8-16 [4 Req.]	S23103
804A	Weight, Clack	S10150
804B	Weight, Clack	S04939
805A	Washer, Lock	S23036
805B	Washer, Bearing Lock	S16181
810A	Plug, Pipe 1/4" NPT [3 Req.]	S23715
810B	Plug, Pipe 1" NPT	S23693
811	Fitting, Grease Drive Type [3 Req.]	S23670
835	Clack, Rubber	S10146
849	Clamp, Clack	S10148

