

BERKELEY® B4JRMBH

Cast Iron Impeller

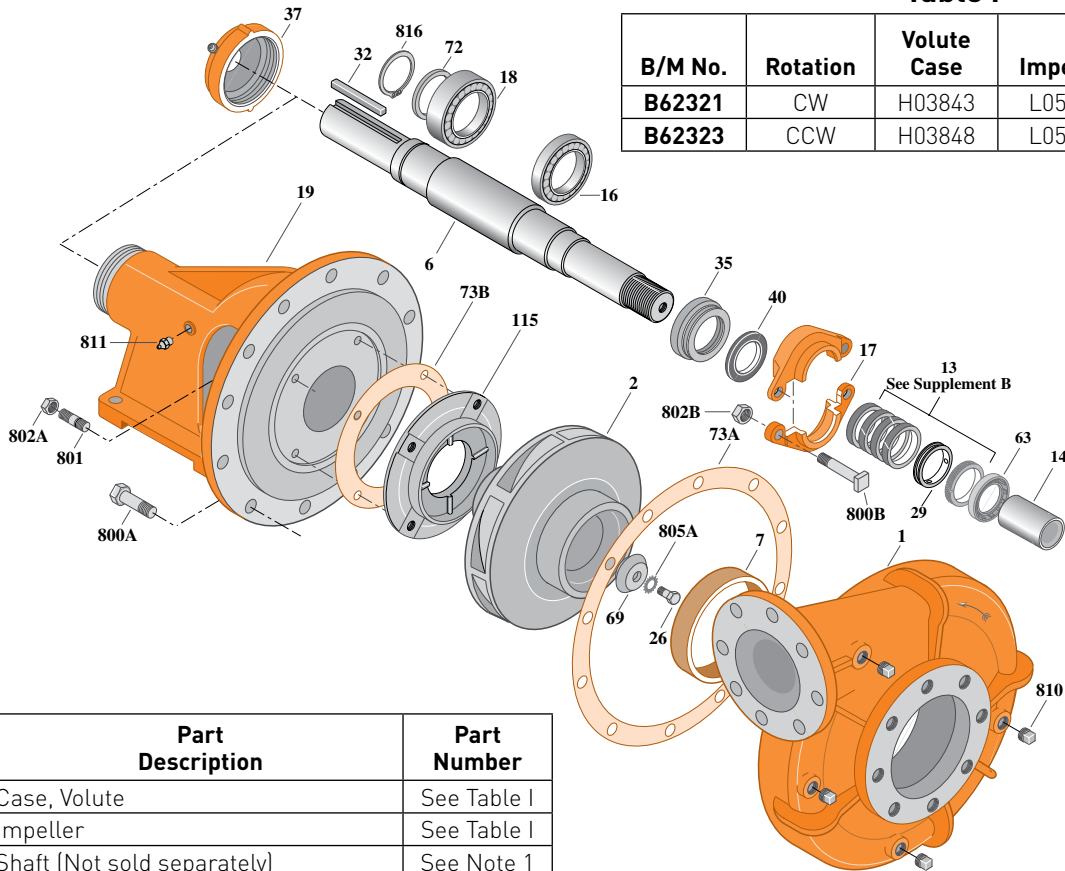
Flanged Case, Packing Construction

BEARING FRAME MOUNT

Section	FM
Page	190.1
Date	March 4, 2013
Supersedes 01/01/04	

Table I

B/M No.	Rotation	Volute Case	Impeller	Impeller Diameter
B62321	CW	H03843	L05976	13.50"
B62323	CCW	H03848	L05974	13.50"



2060 1095

Item No.	Part Description	Part Number
1	Case, Volute	See Table I
2	Impeller	See Table I
6	Shaft (Not sold separately)	See Note 1
7	Ring, Wearing	S02894
13	Ring, Packing (Set of 4)	S13436
14	Sleeve, Shaft	S05974
16	Bearing, Ball	S15604
17	Gland, Packing	B82472
18	Bearing, Ball	S13396
19	Frame	H01599
26	Screw, Impeller 1/2-13x1-1/2"	S23623
29	Ring, Lantern	S18993
32	Key, 1/26x4"	S24214
35	Inner Bearing Cap	S05928
37	Outer Bearing Cap Assembly*	S35277
40	Slinger, Water	S10964
63	Bushing, Throat	S18992
69	Washer, Impeller	S19275
72	Ring, Thrust	S06519
73A	Gasket, Volute	S06271

Item No.	Part Description	Part Number
73B	Gasket, Balance Ring	S09943
115	Ring, Balance	S12315
800A	Capscrew, Hex 5/8-11x1-1/2" (12 Req.)	S26999
800B	Bolt, Sq. Head 1/2-13x2-3/4" (2 Req.)	S23794
801	Stud, 3/8-16x1-3/8" (4 Req.)	S09942
802A	Nut, Hex 3/8-16 (4 Req.)	S23103
802B	Nut, Hex 1/2-13x7/16" (2 Req.)	S23347
805A	Washer, Lock	S23038
810	Plug, Pipe 1/2 NPT (4 Req.)	S23717
811	Fitting, Grease (2 Req.)	S23670
816	Ring, Retaining	S23016

* Includes grease fitting and set screw.

NOTE 1: Shaft Replacement Kit available for this model. Berkeley part number **B07596** for CW, **B07597** for CCW. Pump Shaft sold in shaft replacement kit only.



BERKELEY® B4JRMBH

Cast Iron Impeller

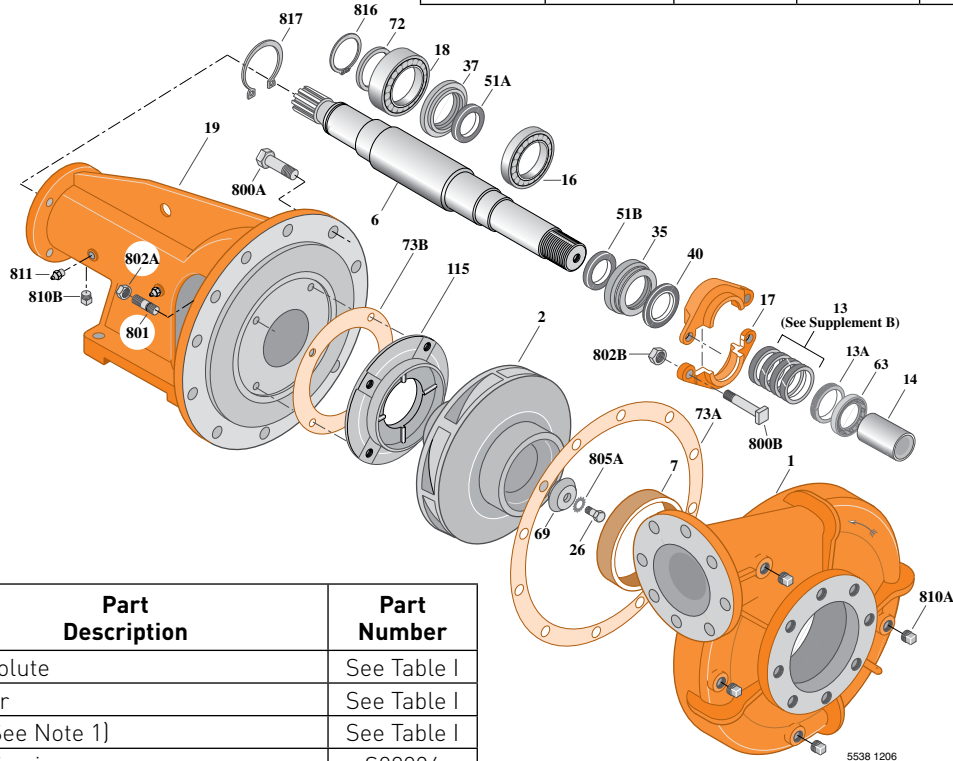
Flanged Case, Packing Construction

BEARING FRAME MOUNT

Section	FM
Page	190.1M
Date	March 4, 2013
Supersedes 12/19/06	

Table I

B/M No.	Rotation	Volute Case	Shaft No.	Impeller	Impeller Diameter
B85479	CW	H03843	H05105	L05976	13.50"



Item No.	Part Description	Part Number
1	Case, Volute	See Table I
2	Impeller	See Table I
6	Shaft [See Note 1]	See Table I
7	Ring, Wearing	S02894
13	Ring, Packing (4 Req.)	M14761
13A	Ring, Packing Metallic (1 Req.)	S13434
14	Sleeve, Shaft	S05974
16	Bearing, Ball	S15604
17	Gland, Packing	B82472
18	Bearing, Ball	M10184
19	Frame	M14766
26	Screw, Impeller 1/2-13x1-1/2"	S23623
35	Inner Bearing Cap	M10200
37	Outer Bearing Cap	M10209
40	Slinger, Water	S10964
51A	Seal, Oil	M10210
51B	Seal, Oil	S14765
63	Bushing, Throat	S18992
69	Washer, Impeller	M14217
72	Ring, Thrust	S06519
73A	Gasket, Volute	S06271
73B	Gasket, Balance Ring	S09943

Item No.	Part Description	Part Number
115	Ring, Balance	S12315
800A	Capscrew, Hex 5/8-11x1-1/2" (12 Req.)	S26999
800B	Bolt, Sq. Head 1/2-13x2-3/4" (2 Req.)	S23794
801	Stud, 3/8-16x1-1/4" (4 Req.)	S23994
802A	Nut, Hex 3/8-16 (4 Req.)	S23103
802B	Nut, Hex 1/2-13x7/16" (2 Req.)	S23347
805A	Washer, Lock	S23038
810A	Plug, Pipe 1/2 NPT (4 Req.)	S23717
810B	Plug, Pipe 1/4 NPT	S23715
811	Fitting, Grease (2 Req.)	S23670
816	Ring, Retaining	S23016
817	Ring, Retaining	S23025

NOTE 1: Shaft Replacement Kit is not available for this model. Order Replacement Shaft and associated components from above listing.



BERKELEY® B4JRMBHS

Cast Iron Impeller

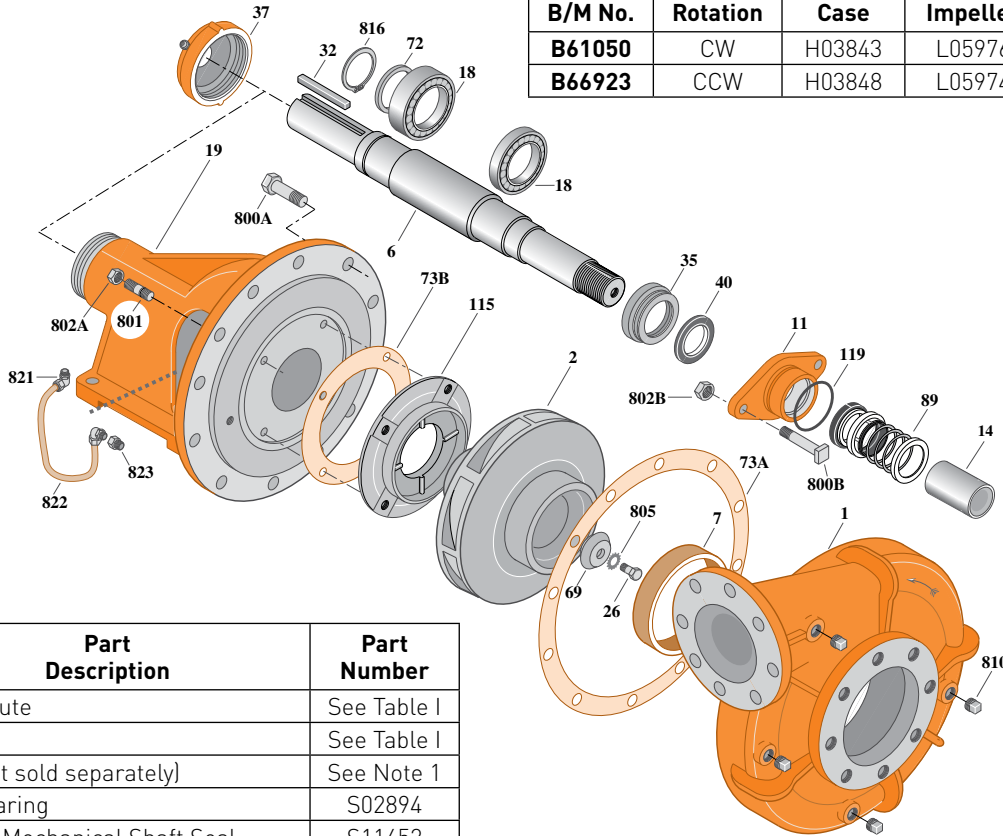
Flanged Case, Mechanical Seal Construction

BEARING FRAME MOUNT

Section	FM
Page	190.2
Date	March 4, 2013
Supersedes 01/01/04	

Table I

B/M No.	Rotation	Volute Case	Impeller	Impeller Diameter
B61050	CW	H03843	L05976	13.50"
B66923	CCW	H03848	L05974	13.50"



Item No.	Part Description	Part Number
1	Case, Volute	See Table I
2	Impeller	See Table I
6	Shaft (Not sold separately)	See Note 1
7	Ring, Wearing	S02894
11	Retainer, Mechanical Shaft Seal	S11452
14	Sleeve, Shaft	S05974
16	Bearing, Ball	S15604
18	Bearing, Ball	S13396
19	Frame	H01838
26	Screw, Impeller 1/2-13x1"	S23619
32	Key, 1/2x4"	S24214
35	Inner Bearing Cap	S05928
37	Outer Bearing Cap Assembly*	S35277
40	Slinger, Water	S10964
69	Washer, Impeller	S19275
72	Ring, Thrust	S06519
73A	Gasket, Volute	S06271
73B	Gasket, Balance Ring	S09943
89	Seal, Mechanical Shaft	S32693
115	Ring, Balance	S13591
119	O-Ring	S26471

Item No.	Part Description	Part Number
800A	Capscrew, Hex 5/8-11x1-1/2" (12 Req.)	S26999
800B	Bolt, Sq. Head 1/2-13x2-1/4" (2 Req.)	S23792
801	Stud, 3/8-16x1-1/2" (4 Req.)	S23995
802A	Nut, Hex 3/8-16" (4 Req.)	S23103
802B	Nut, Hex 1/2-13x7/16" (2 Req.)	S23347
805A	Washer, Lock	S23038
810	Plug, Pipe 1/2 NPT (4 Req.)	S23717
811	Fitting, Grease	S23670
816	Ring, Retaining	S23016
821	Elbow, Comp. Fitting (2 Req.)	S24128
822	Tubing, Copper	S20677
823	Bushing, Pipe	S24544

* Includes grease fitting and set screw.

NOTE 1: Shaft Replacement Kit available for this model. Berkeley part number **B07596** for CW, **B07597** for CCW. Pump Shaft sold in shaft replacement kit only.



BERKELEY® B4JRMBHS

Cast Iron Impeller

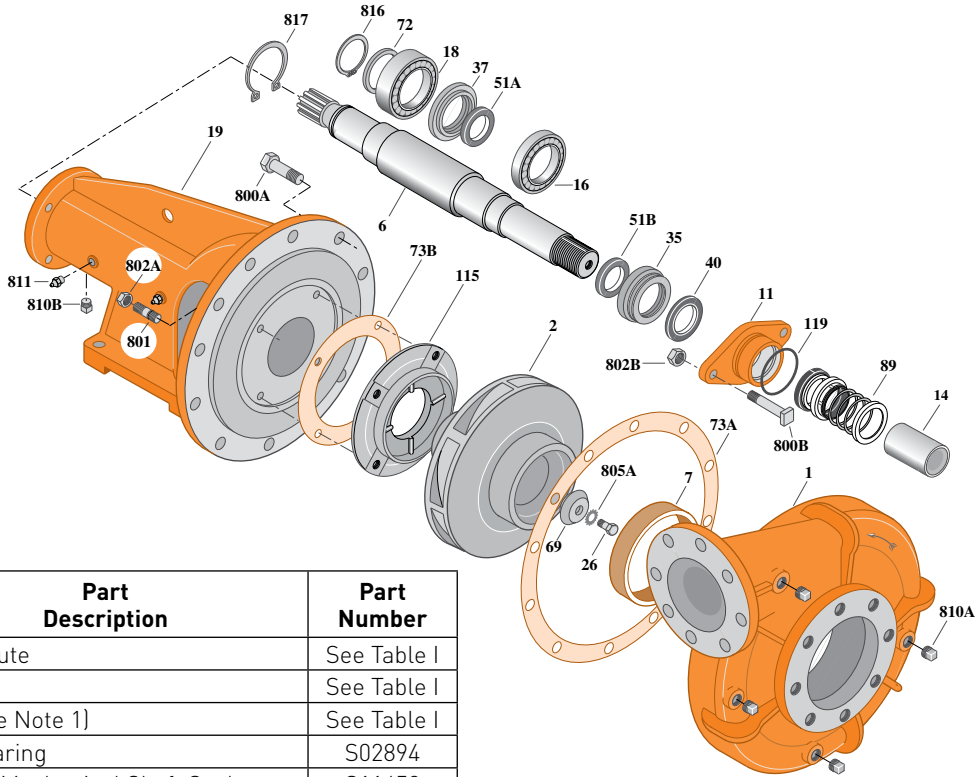
Flanged Case, Mechanical Seal Construction

BEARING FRAME MOUNT

Section	FM
Page	190.2M
Date	March 4, 2013
Supersedes 01/01/04	

Table I

B/M No.	Rotation	Volute Case	Shaft No.	Impeller	Impeller Diameter
B69743	CW	H03843	H05105	L05976	13.50"



Item No.	Part Description	Part Number
1	Case, Volute	See Table I
2	Impeller	See Table I
6	Shaft [See Note 1]	See Table I
7	Ring, Wearing	S02894
11	Retainer, Mechanical Shaft Seal	S11452
14	Sleeve, Shaft	S05974
16	Bearing, Ball	S15604
18	Bearing, Ball	M10184
19	Frame	H05103
26	Screw, Impeller 1/2-13x1-1/2"	S23623
35	Inner Bearing Cap	M10200
37	Outer Bearing Cap	M10209
40	Slinger, Water	S10964
51A	Seal, Oil	M10210
51B	Seal, Oil	S14765
69	Washer, Impeller	S19275
72	Ring, Thrust	S06519
73A	Gasket, Volute	S06271
73B	Gasket, Balance Ring	S09943
89	Seal, Mechanical Shaft	S32693
115	Ring, Balance	S13591
119	O-Ring	S26471

Item No.	Part Description	Part Number
800A	Capscrew, Hex 5/8-11x1-1/2" [12 Req.]	S26999
800B	Bolt, Sq. Head 1/2-13x2-1/4" [2 Req.]	S23792
801	Stud, 3/8-16x1-1/2" [4 Req.]	S23995
802A	Nut, Hex 3/8-16 [4 Req.]	S23103
802B	Nut, Hex 1/2-13x7/16" [2 Req.]	S23347
805A	Washer, Lock	S23038
810A	Plug, Pipe 1/2 NPT [4 Req.]	S23717
810B	Plug, Pipe 1/4 NPT	S23715
811	Fitting, Grease [2 Req.]	S23670
816	Ring, Retaining	S23016
817	Ring, Retaining	S23025

NOTE 1: Shaft Replacement Kit is not available for this model. Order Replacement Shaft and associated components from above listing.



BERKELEY® B4JRMBHS

Cast Iron Impeller

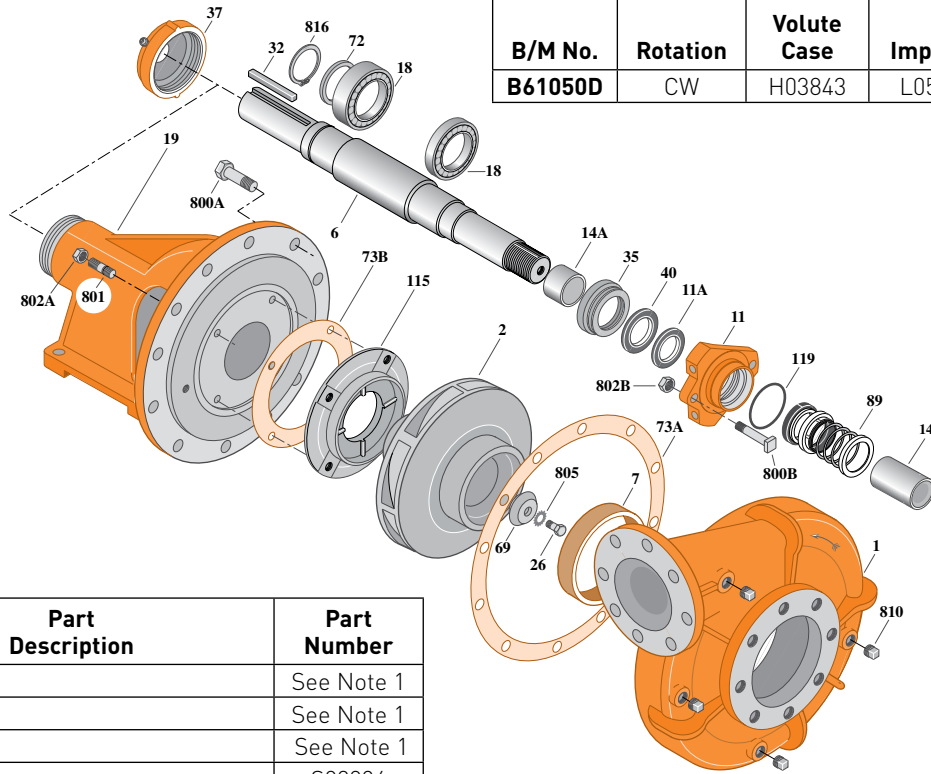
Flanged Case, Dry Run,
Mechanical Shaft Seal Construction

BEARING FRAME MOUNT

Section	FM
Page	190.3
Date	March 4, 2013
Supersedes 12/01/11	

Table I

B/M No.	Rotation	Volute Case	Impeller	Impeller Diameter
B61050D	CW	H03843	L05976	13.50"



Item No.	Part Description	Part Number
1	Case, Volute	See Note 1
2	Impeller	See Note 1
6	Shaft	See Note 1
7	Ring, Wearing	S02894
11	Retainer, Mechanical Shaft Seal, Dry Run	M14959
11A	Dry Run Gland Lip Seal	M12337
14	Sleeve, Shaft	S05974L
14A	Sleeve, Shaft	M14971
16	Bearing, Ball	S15604
18	Bearing, Ball	S13396
19	Frame	M14963
26	Screw, Impeller 1/2-13x1-1/4"	S23619
32	Key, 1/2x4"	S24214
35	Inner Bearing Cap	S05928
37	Outer Bearing Cap Assembly*	S35277
40	Slinger, Water	S10964
69	Washer, Impeller	M14217
72	Ring, Thrust	S06519
73A	Gasket, Volute	S06271
73B	Gasket, Balance Ring	S09943
89	Seal, Mechanical Shaft	S32693
115	Ring, Balance	S13591
119	O-Ring	M14972

* Includes grease fitting and set screw.

Item No.	Part Description	Part Number
800A	Capscrew, Hex 5/8-11x1-1/2" (10 Rqd.)	S26999
800A	Capscrew, Hex 5/8-11x1-3/4" (2 Rqd. top ctr.)	S27001
800B	Bolt, Sq. Head 1/2-13x2-1/4" (2 Rqd.)	S23792
801	Stud, 3/8-16" x 1-1/2" (4 Rqd.)	S28626
802A	Nut, Hex 3/8-16" (4 Rqd.)	S23103
802B	Nut, Hex 1/2-13x7/16" (2 Rqd.)	S23347
805	Washer, Lock	S23038
810	Plug, Pipe 1/2 NPT (4 Rqd.)	S23717
811	Fitting, Grease	S23670
816	Ring, Retaining	S23016

NOTE 1: Shaft Replacement Kit is available for this model. Berkeley part number **B07596**. Pump shaft sold in replacement kit only. Refer to **Supplement C** for shaft kit components.

NOTE 2: Refer to **Supplement F** for dry run tank repair parts. Dry run lubrication system requires one gallon of food grade hydraulic oil (FGHO), viscosity 150 SSU at 100 °F. Oil not supplied, purchase locally.



BERKELEY® B4JRMRH

316 Stainless Steel Impeller

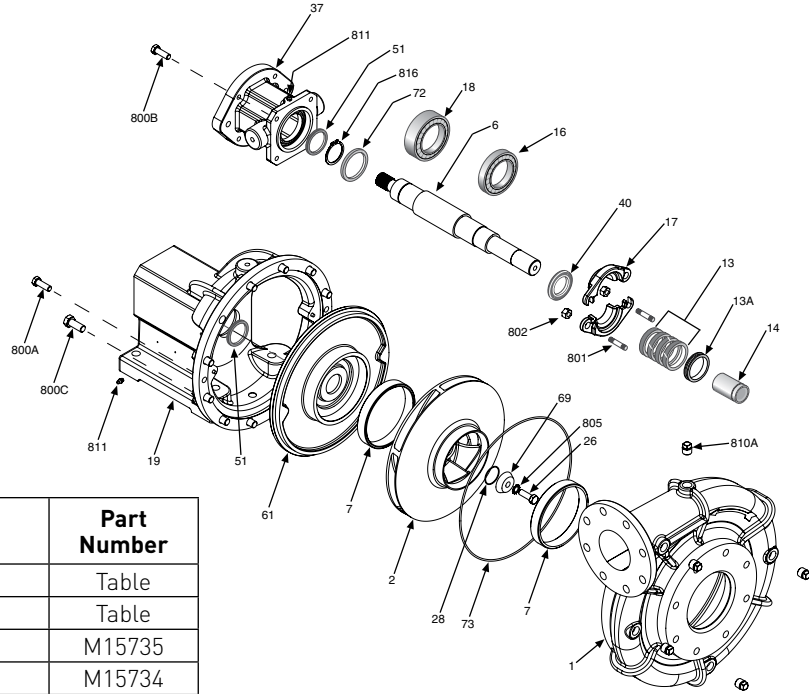
Packing Construction

BEARING FRAME MOUNT

Section	FM
Page	190.11
Date	March 4, 2013
Supersedes 07/01/12	

Table I

B/M No.	Rotation	Casing w/ Wear Ring	Impeller	Impeller Diameter
B86083	CW	M15767	M15703	13.5"



6596-0712

Item No.	Part Description	Part Number
1	Casing w/ Wear Ring	Table
2	Impeller	Table
6	Shaft	M15735
7	Ring, Wear [2 required]	M15734
13	Ring, Packing [quantity 1; 4 required]	M14761
13A	Ring, Metallic [quantity 1]	S13434
14	Sleeve, Shaft	S33429L
16	Bearing, Roller	S15604
17	Slotted Split Gland	B82472
18	Bearing, Ball	M10184
19	Bracket, Frame Mount	M15706
26	Capscrew, Hex	M15737
28	O-ring	U9-239
37	Bearing Cap Motor Bracket	M15709
40	Slinger, Water	S10964
51	Seal, Oil [2 required]	S14765
61	Seal Plate w/ Wear Ring	M15769
69	Impeller Washer	M15736
72	Ring, Thrust	S06519
73	Casing, O-ring	M14948
800A	Capscrew, [12 required]	M15740
800B	Capscrew, Hex [4 required]	M15737
800C	Capscrew [2 required]	U30-883SS
801	Stud [2 required]	M15741

Item No.	Part Description	Part Number
802	Nut, Hex [2 required]	S23488
805	Washer, Lock External Tooth	M15738
810A	Plug, Pipe [5 required]	M15742
811	Fitting, Grease [2 required]	M11141
816	Ring, Retaining, External	S23016

NOTE 1: B86093, complete pump less volute, #1.

NOTE 2: B86097, Casing Kit, includes items #1, 800A, 73.

NOTE 3: B86099, Seal Plate Kit, includes items #73, 800C, 26, 805, 69, 28, 800A, 61, 17, 801, 802, 13, 13A.

NOTE 4: B86090, Impeller Kit, includes items #800A, 2, 7, 26, 805, 69, 28, 73.

NOTE 5: B86089, Shaft Kit, included items #6, 14, 16, 26, 805, 69, 28, 72, 816, 40, 51, 73, 18.

NOTE 6: B86177 Overhaul Kit, includes items #73, 51, 14, 16, 18, 26, 805, 69, 28, 72, 816, 40.



BERKELEY® B4JRMBS

316 Stainless Steel Impeller

Mechanical Seal Construction

BEARING FRAME MOUNT

Section	FM
Page	190.21
Date	March 4, 2013
Supersedes 07/01/12	

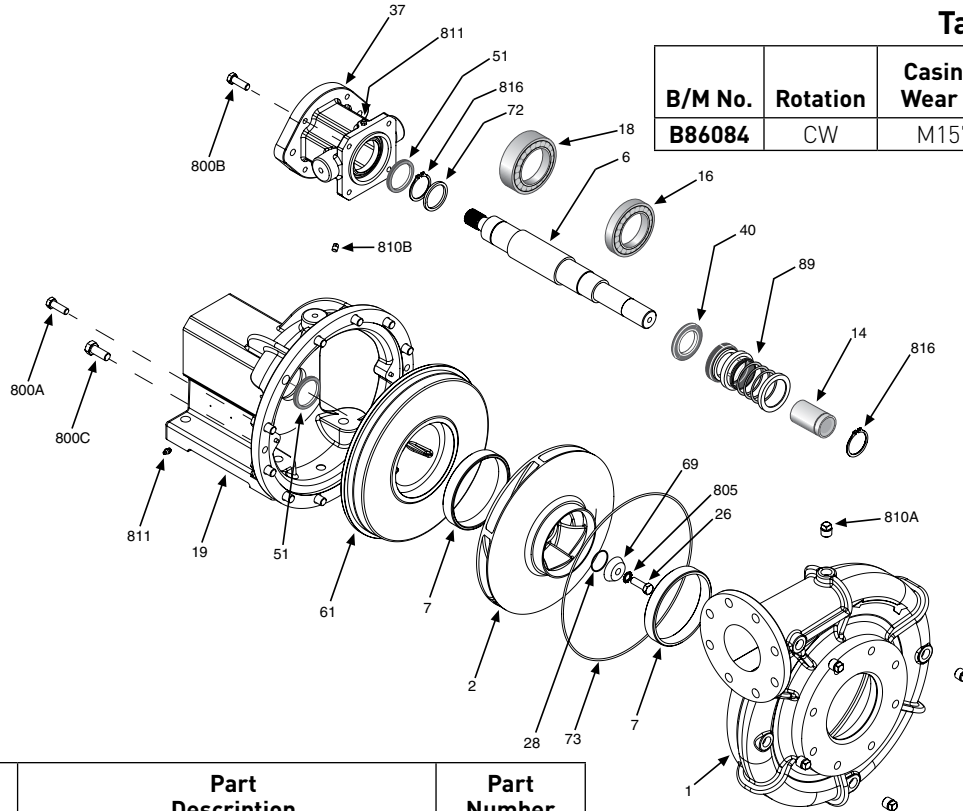


Table I

B/M No.	Rotation	Casing w/ Wear Ring	Impeller	Impeller Diameter
B86084	CW	M15767	M15703	13.5"

Item No.	Part Description	Part Number
1	Casing w/ Wear Ring	Table I
2	Impeller	Table I
6	Shaft	M15735
7	Wear Ring (2 required)	M15734
14	Sleeve, Shaft	S33429L
16	Bearing, Roller	S15604
18	Bearing, Ball	M10184
19	Bracket, Frame Mount	M15706
26	Capscrew, Hex	M15737
28	O-ring	U9-239
37	Bearing Cap Motor Bracket	M15709
40	Slinger, Water	S10964
51	Seal, Oil (2 required)	S14765
61	Seal Plate w/ Wear Ring	M15768
69	Impeller Washer	M15736
72	Ring, Thrust	S06519
73	Casing, O-ring	M14948
89	Seal, Shaft	S32693
811	Fitting, Grease (2 required)	M11141
800C	Capscrew, 316SS (12 required)	M15740
800A	Capscrew (2 required)	U30-883SS

Item No.	Part Description	Part Number
800B	Capscrew, 316SS (4 required)	M15737
805	Washer, Lock External Tooth	M15738
810A	Plug, Pipe (5 required)	M15742
810B	Plug, Pipe	M15743
816	Ring Retaining, External (2 req)	S23016

NOTE 1: B86094, complete pump less volute, #1.

NOTE 2: B86097, Casing Kit, includes items #1, 800A & 73 .

NOTE 3: B86090, Impeller Kit, includes items #800A, 2, 7, 26, 805, 69, 28, 73.

NOTE 4: B86089, Shaft Kit, included items #6, 14, 16, 26, 805, 69, 28, 72, 816, 40, 51, 73, 18.

NOTE 5: B86177 Overhaul Kit, includes items #73, 51, 14, 16, 18, 26, 805, 69, 28, 72, 816, 40.

NOTE 6: B86100, Seal Plate Kit, includes items #73, 800C, 26, 805, 69, 28, 61, 816, 89, 800A.

