

BERKELEY® B1-1/2MRS

Cast Iron Impeller

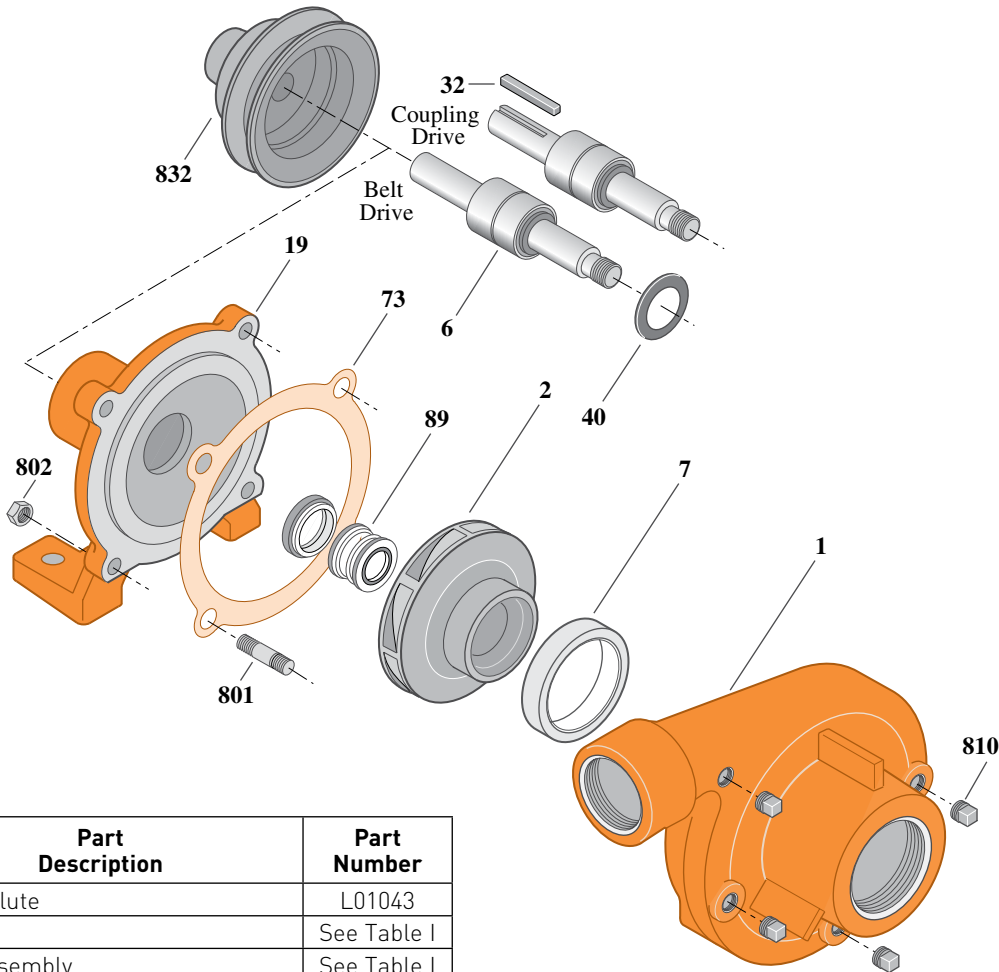
Threaded Case (NPT), Mechanical Seal Construction

BELT/COUPLING DRIVE

Section	B/C
Page	40.1
Date	March 4, 2013
Supersedes 01/01/04	

Table I

B/M No.	Drive Type	Shaft No.	Impeller	Impeller Diameter
B56416	Coupling - CW	S16578	M01039	4.00"
B02482	Belt - CW	S06397	M01039	4.00"



Item No.	Part Description	Part Number
1	Case, Volute	L01043
2	Impeller	See Table I
6	Shaft Assembly	See Table I
7	Wear Ring	S03074
19	Frame	M02638
32	Key, 3/16 x 1"	S24151
40	Slinger, Water	S05222
73	Gasket, Case	S04728
89	Seal, Mechanical Shaft	S05645
801	Stud, 3/8-16x1-3/4" [4 Req.]	S23996
802	Nut, Hex 3/8-16 [4 Req.]	S23103
810	Pipe Plug, 1/8" NPT [3 Req.]	S23714
832	Sheave	S05375

