

BERKELEY® B1XRMS

Bronze Impeller

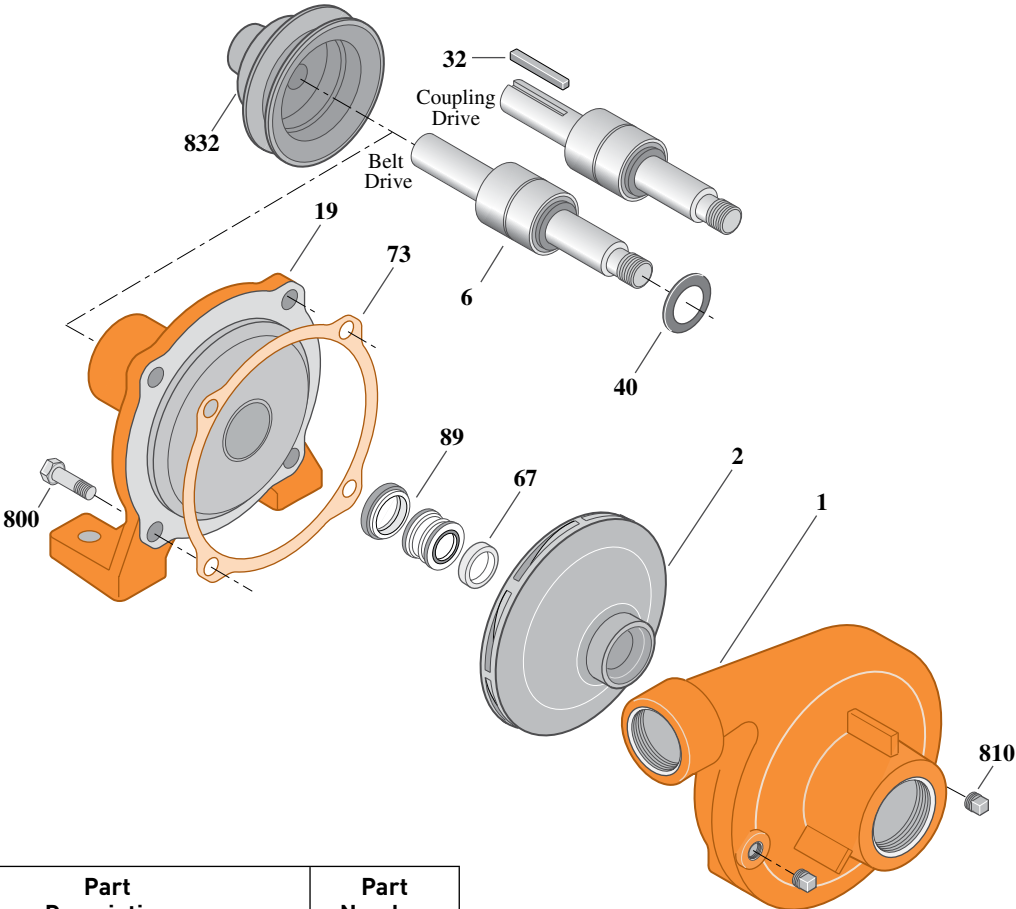
Threaded Case (NPT), Mechanical Seal Construction

BELT/COUPLING DRIVE

Section	B/C
Page	30.1
Date	March 4, 2013
Supersedes 12/01/11	

Table I

B/M No.	Drive Type	Shaft No.	Impeller	Impeller Diameter
B56415	Coupling - CW	S16578	M05909	5.00"
B07005	Belt - CW	S06397	M05909	5.00"



Item No.	Part Description	Part Number
1	Case, Volute	M06154
2	Impeller	See Table I
6	Shaft Assembly	See Table I
19	Frame	M01856
32	Key, 3/16 x 1"	S24151
40	Slinger, Water	S05222
67	Spacer, Impeller	S17323
73	Gasket, Case	S05141
89	Seal, Mechanical Shaft	S05645
800	Capscrew, 3/8-16x3/4" [4 Req.]	S26824
810	Pipe Plug, 1/8" NPT [2 Req.]	S23714
832	Sheave	S05375



BERKELEY® B1XRMS

BELT/COUPLING DRIVE

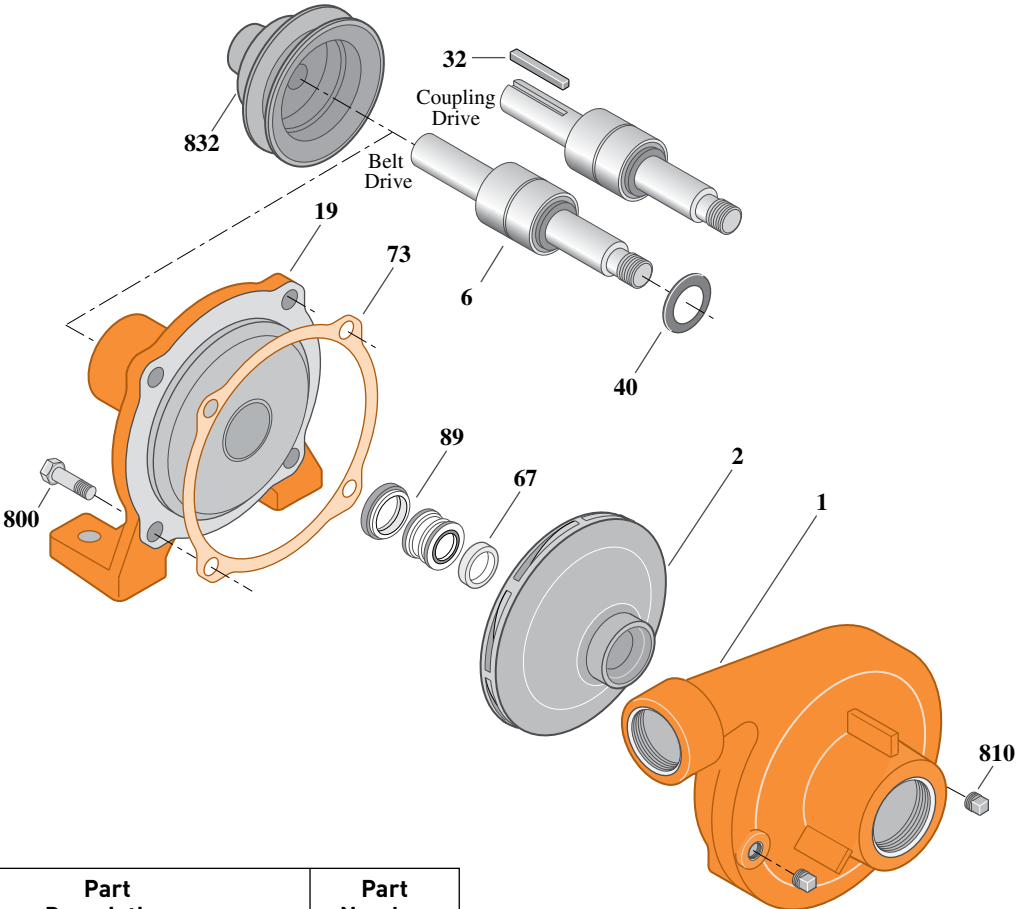
Bronze Impeller

Threaded Case (NPT), Mechanical Seal Construction

Section	B/C
Page	30.2
Date	March 4, 2013
Supersedes 12/01/11	

Table I

B/M No.	Drive Type	Shaft No.	Impeller	Impeller Diameter
B56415S	Coupling - CW	S16578	H05539	5.00"
B07005S	Belt - CW	S06397	H05539	5.00"



Item No.	Part Description	Part Number
1	Case, Volute	M06154
2	Impeller	See Table I
6	Shaft Assembly	See Table I
19	Frame	M01856
32	Key, 3/16 x 1"	S24151
40	Slinger, Water	S05222
67	Spacer, Impeller	S17323
73	Gasket, Case	S05141
89	Seal, Mechanical Shaft	S05645
800	Cap screw, 3/8-16x3/4" [4 Req.]	S26824
810	Pipe Plug, 1/8" NPT [2 Req.]	S23714
832	Sheave	S05375

